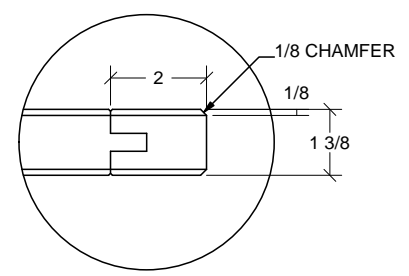
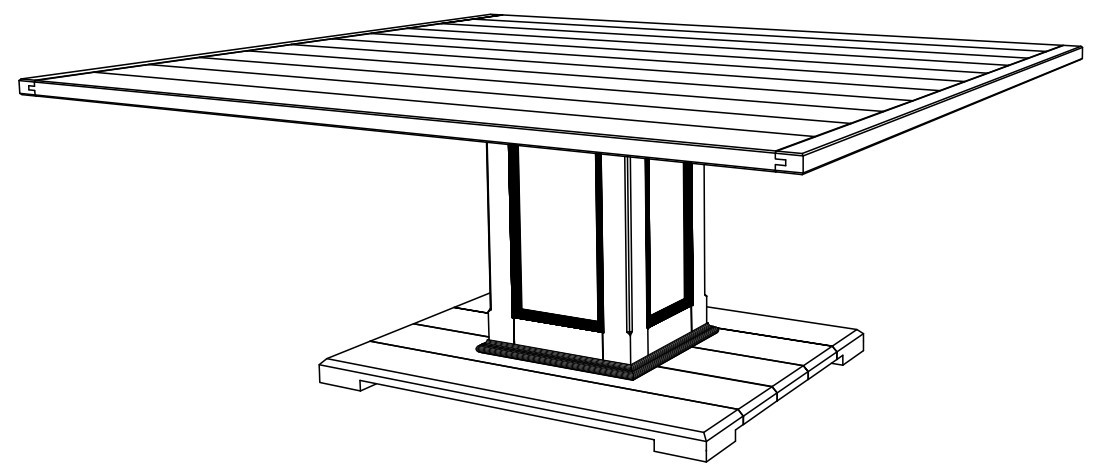
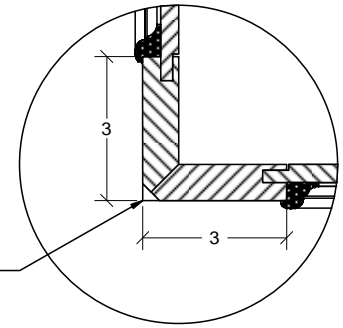


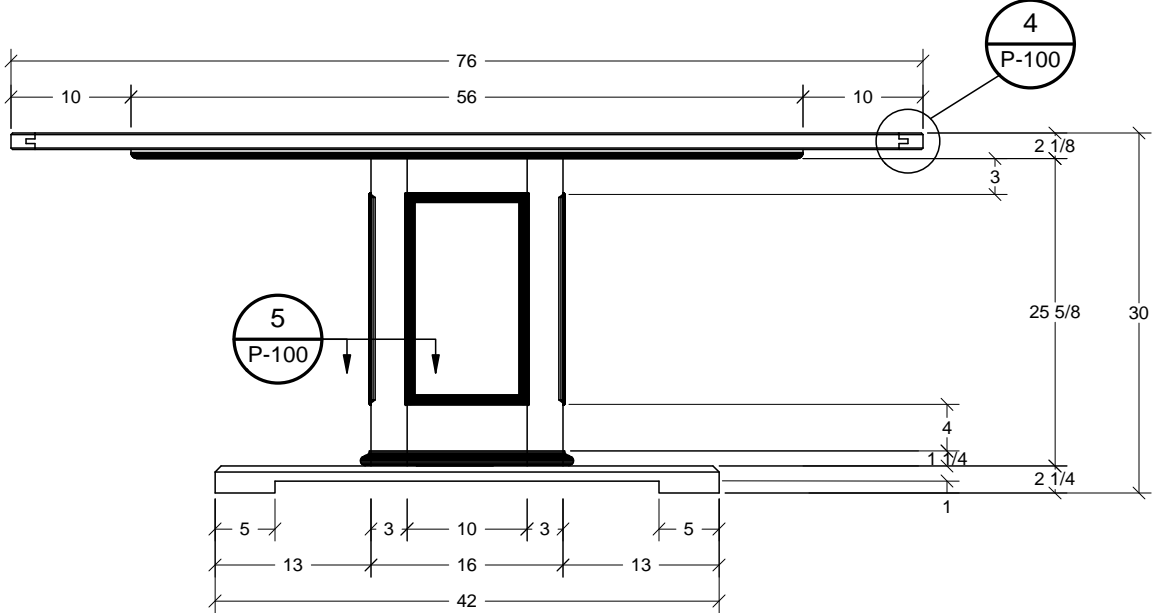
**2 Plan View**  
Scale: 3/4" = 1'



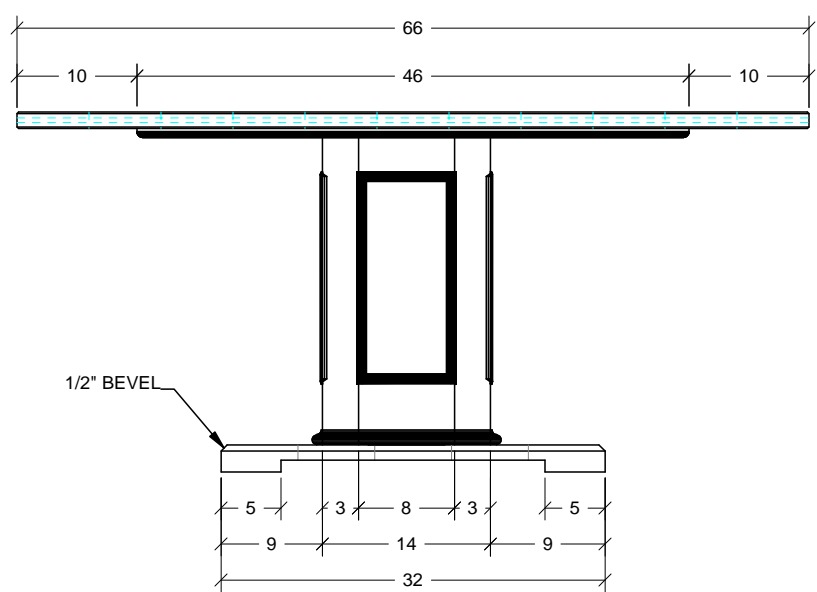
**4 Top End Detail**  
Scale: 1 : 4



**5 Column Base Section**  
Scale: 1 : 4



**1 Front Elevation View**  
Scale: 3/4" = 1'



**3 Side Elevation View**  
Scale: 3/4" = 1'



One on One Design Solutions  
P.O. Box 3935  
Wilson, NC 27895  
1.800.283.3037  
www.1on1designsolutions.com

Drawn By:  
One on One Design Solutions  
P.O. Box 3935, Wilson, NC 27895  
1-800-283-3037  
www.1on1designsolutions.com

Disclaimer: It is the responsibility of the builder to verify all dimensions before beginning construction. One on One Design Solutions is not liable for any damages, including lost profits, arising from the use of this drawing.

**APPROVAL SIGNATURE**

APPROVED  
 AS NOTED

SIGNATURE: \_\_\_\_\_

DATE: \_\_\_\_\_

**Revisions:**

No.	Date	Description
1	10/28/11	Changed base dimensions from 56"x46" to 42"x32".
2	11/9/11	Added feet and molding to pedestal base.

Project : Notowich Table

Project Number : 11-130

Date Drawn : 10-27-11

Drawn By : G. Robinson

Scale : 3/4" = 1'

Paper Size : B (11" x 17")

Drawing Title:	
Table Plan	
Revision	Drawing Number
2	P-100