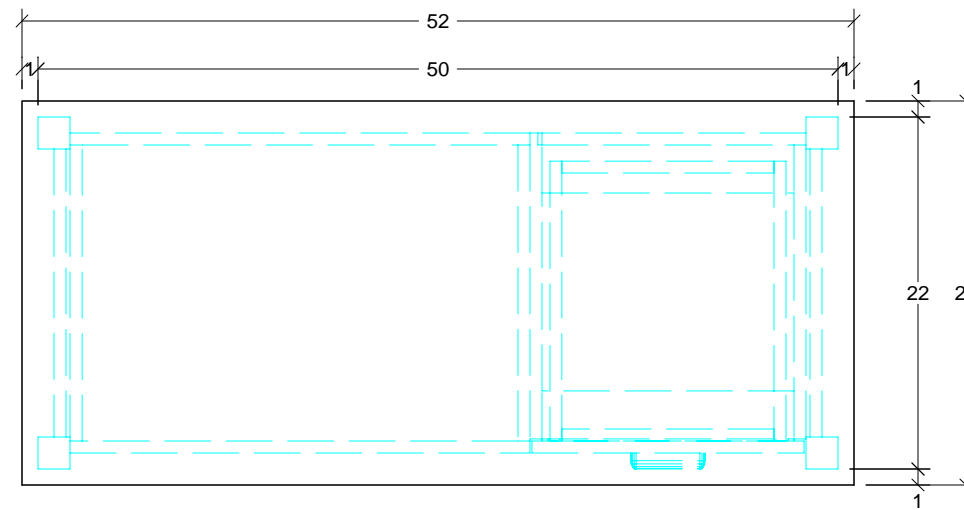
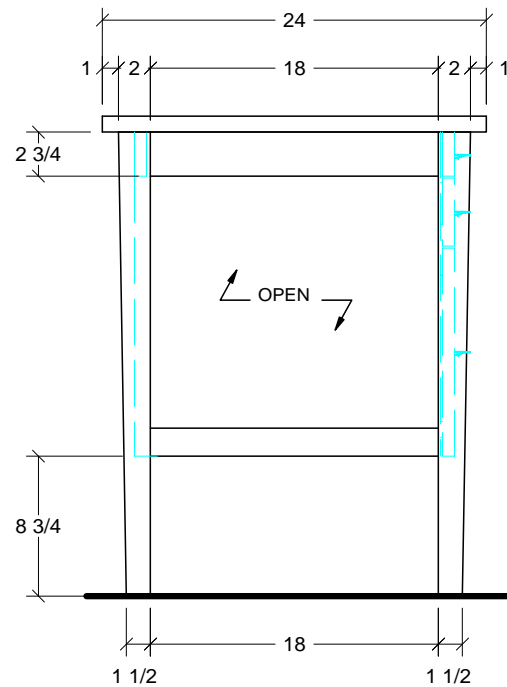


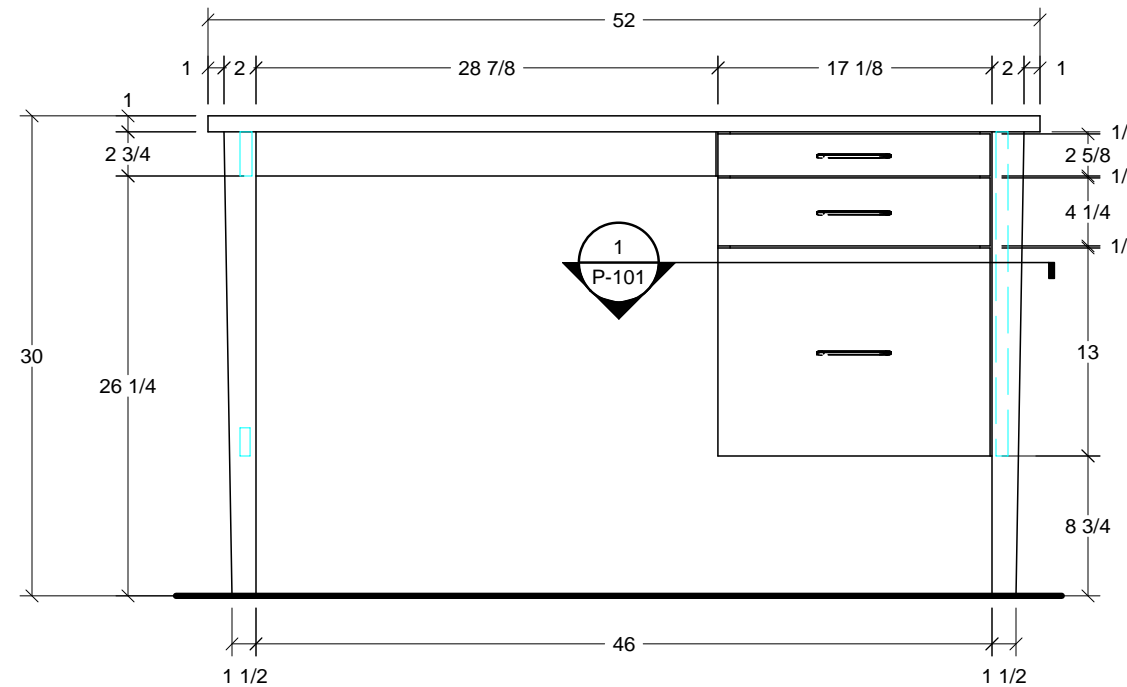
Notes:



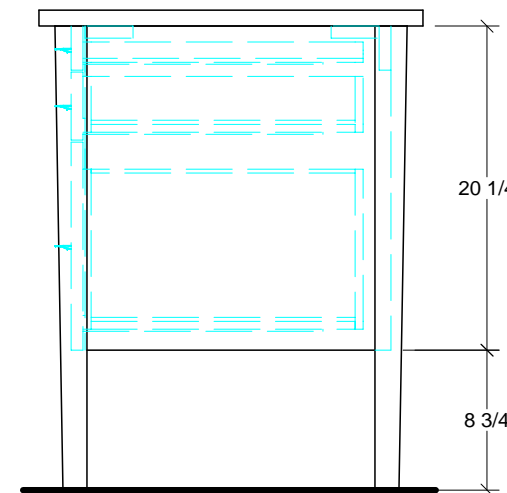
**2** Plan View  
Scale: 1" = 1'



**3** Left Side Elevation  
Scale: 1" = 1'



**1** Front Elevation  
Scale: 1" = 1'



**4** Right Side Elevation  
Scale: 1" = 1'



One on One Design Solutions  
P.O. Box 3935  
Wilson, NC 27895  
1.800.283.3037  
www.1on1designsolutions.com

**APPROVAL SIGNATURE**

- APPROVED
- AS NOTED

SIGNATURE:

DATE:

**Revisions:**

No.	Date	Description

Project : Ryerson Desk

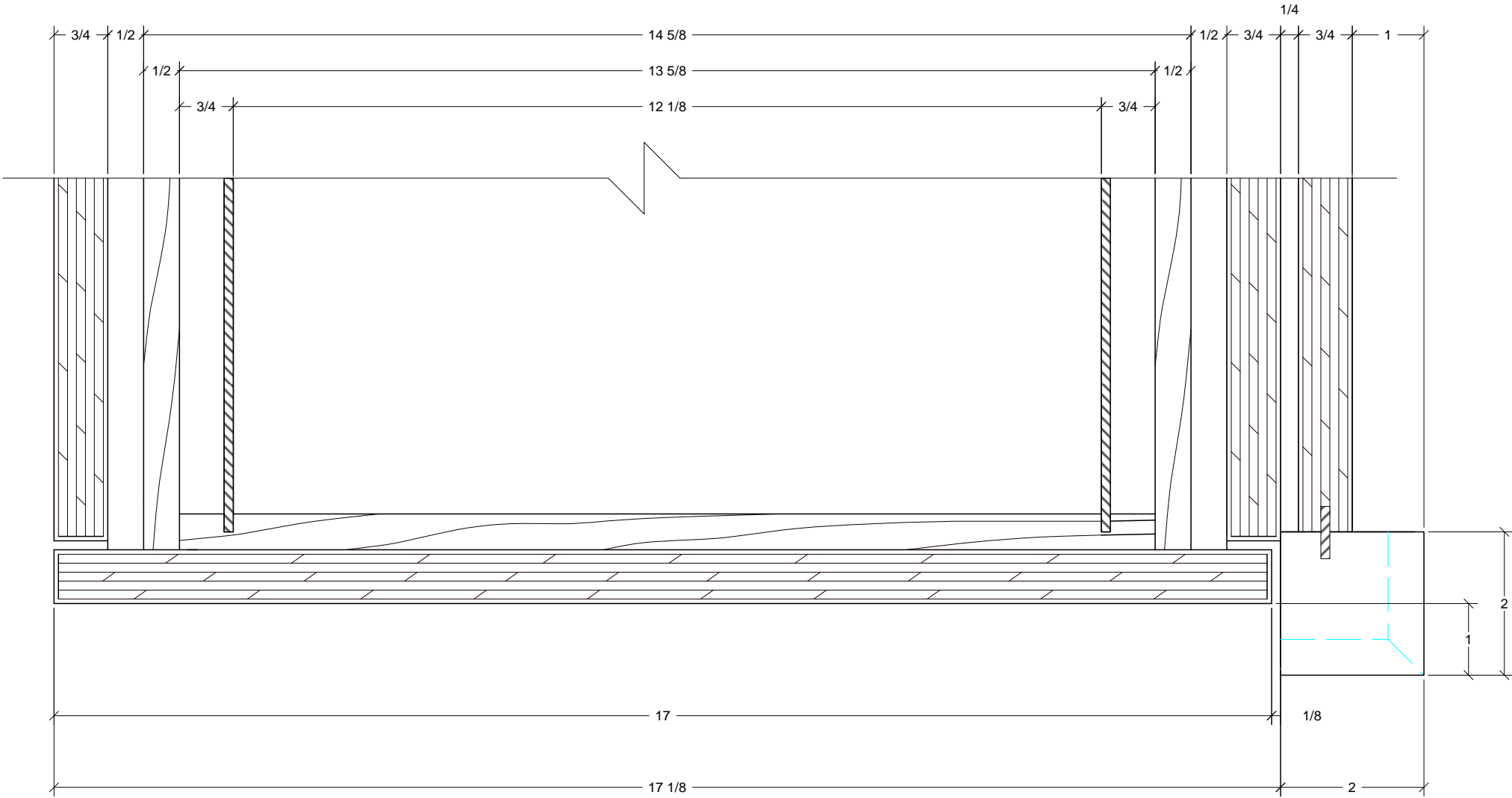
Project Number : 11-136  
Date Drawn : 5/8/12  
Drawn By : Gordon Robinson  
One on One Design Solutions  
www.1on1ds.com

Scale : As Noted  
Paper Size : B (11" x 17")

Drawing Title:  
**Desk Plan**

Revision	Drawing Number
0	P-100

Notes:



1 File Drawer Section View  
Scale: 1 : 2



One on One Design Solutions  
P.O. Box 3935  
Wilson, NC 27895  
1.800.283.3037  
www.1on1designsolutions.com

**APPROVAL SIGNATURE**

APPROVED  
 AS NOTED

SIGNATURE: \_\_\_\_\_

DATE: \_\_\_\_\_

**Revisions:**

No.	Date	Description

Project : Ryerson Desk

Project Number : 11-136  
Date Drawn : 5/8/12  
Drawn By : Gordon Robinson  
One on One Design Solutions  
www.1on1ds.com  
Scale : As Noted  
Paper Size : B (11" x 17")

Drawing Title:  
**Details**

Revision	Drawing Number
0	P-101