



One on One Design Solutions
 P.O. Box 3935
 Wilson, NC 27895
 1.800.283.3037
 www.1on1designsolutions.com

Drawn By:
 One on One Design Solutions
 P.O. Box 3935, Wilson, NC 27895
 1-800-283-3037
 www.1on1designsolutions.com

Disclaimer: It is the responsibility of the builder to verify all dimensions before beginning construction. One on One Design Solutions is not liable for any damages, including lost profits, arising from the use of this drawing.

APPROVAL SIGNATURE

- APPROVED
- AS NOTED

SIGNATURE:

DATE:

Revisions:

No.	Date	Description
1	10/25/11	Adjusted width -3" and Height +2". Changed center doors to left hinged.

Project : Notowich Cabinet

Project Number : 11-129

Date Drawn : 10-20-11

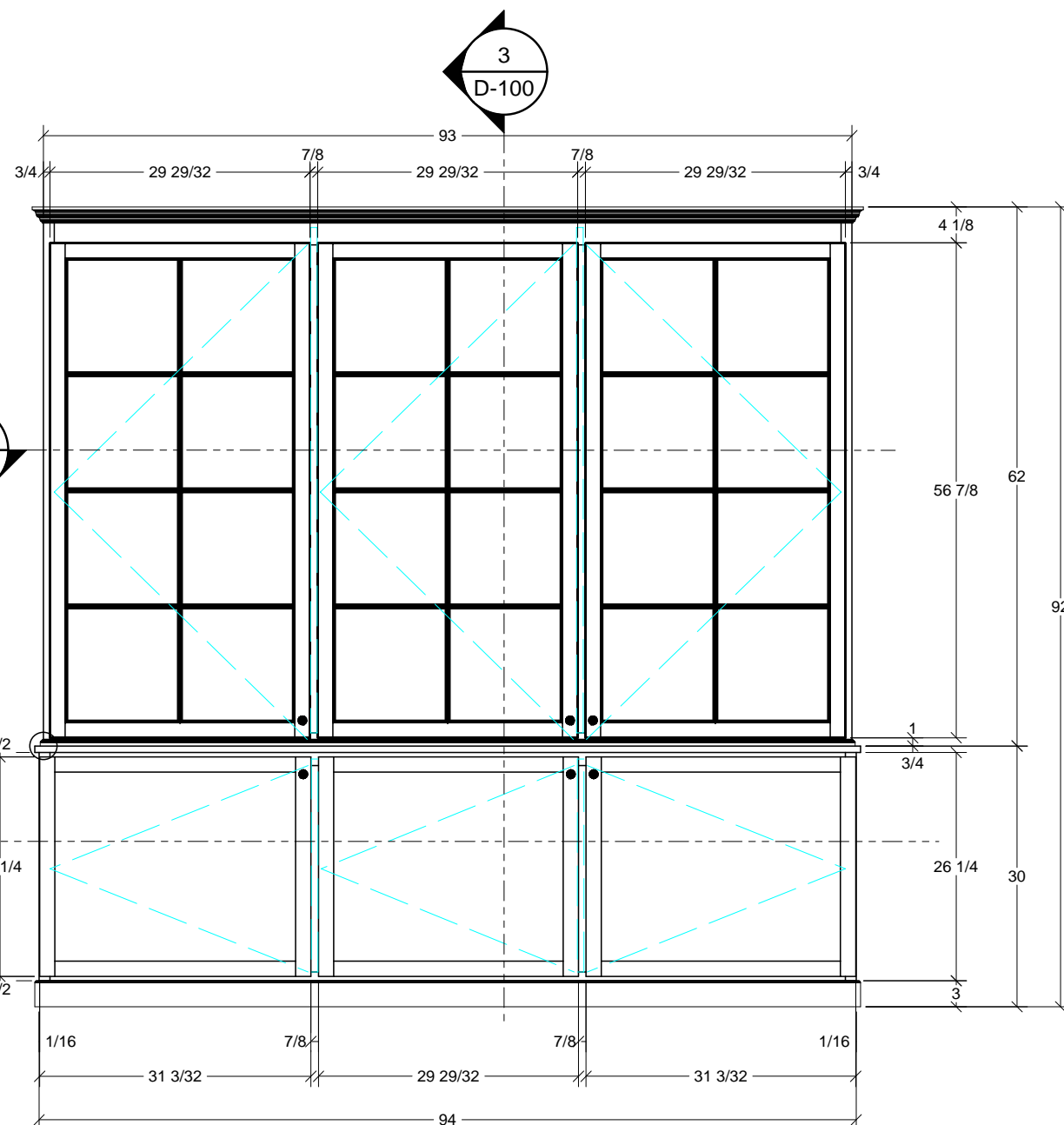
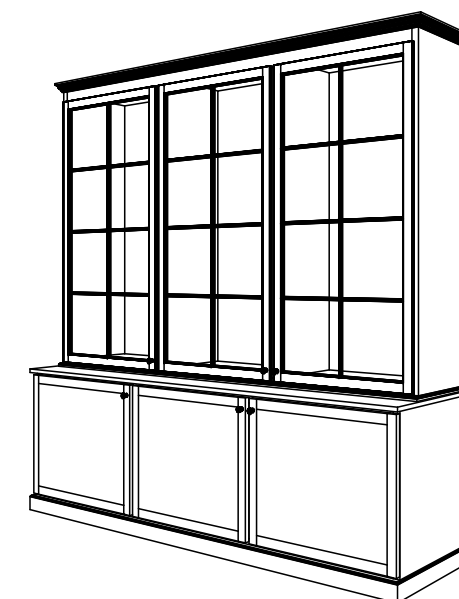
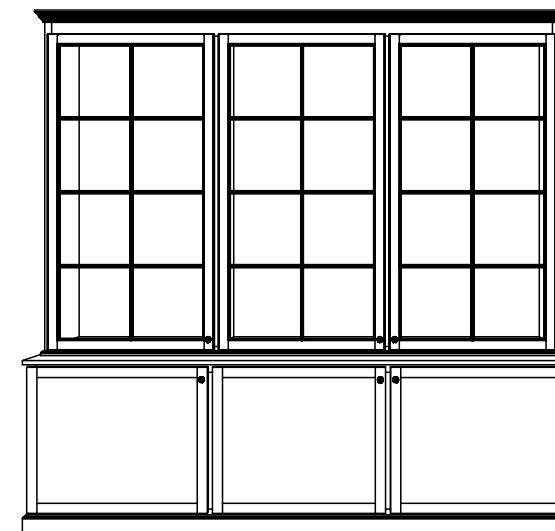
Drawn By : G. Robinson

Scale : As Noted

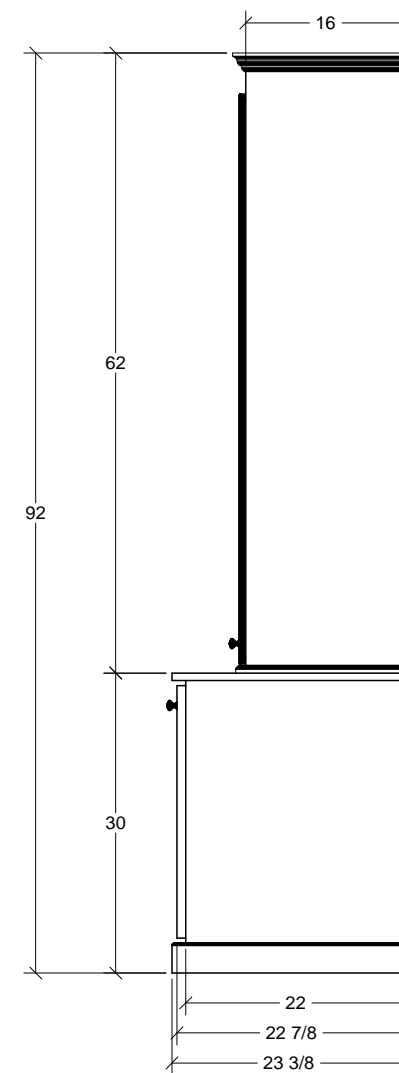
Paper Size : B (11" x 17")

Drawing Title:
Cabinet Elevation

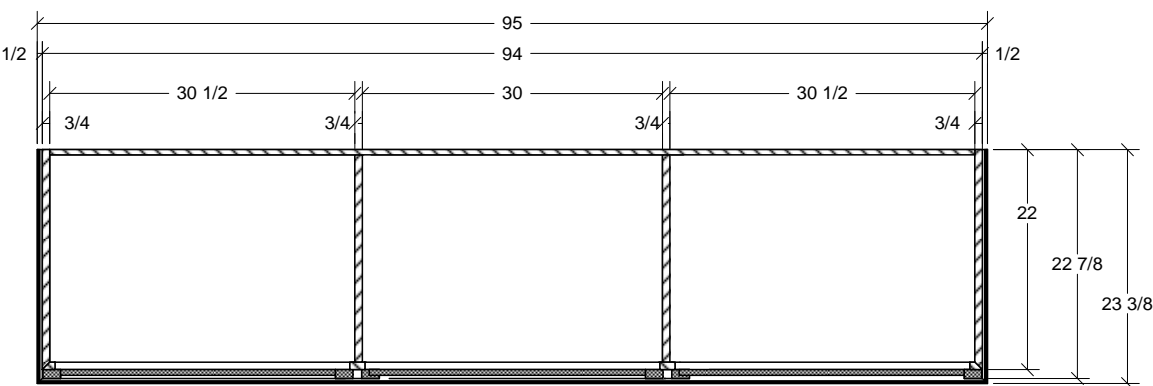
Revision	Drawing Number
1	P-100



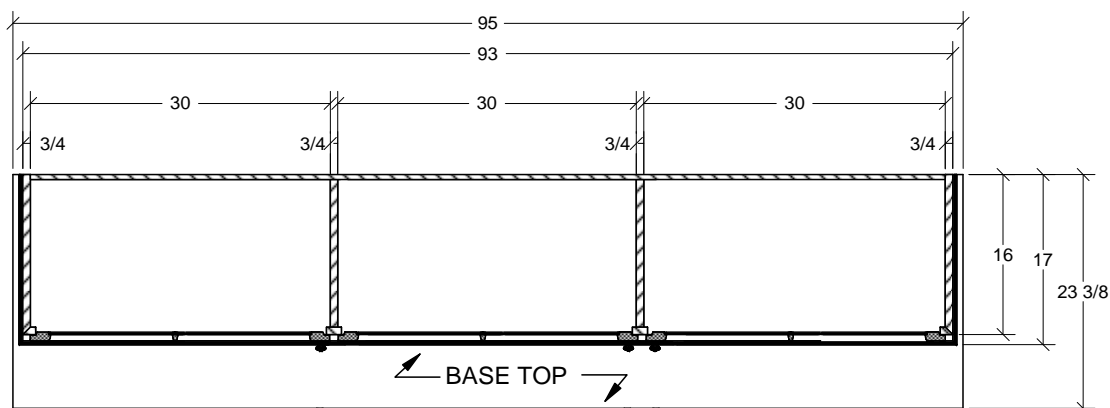
1 Elevation View
 Scale: 5/8" = 1'



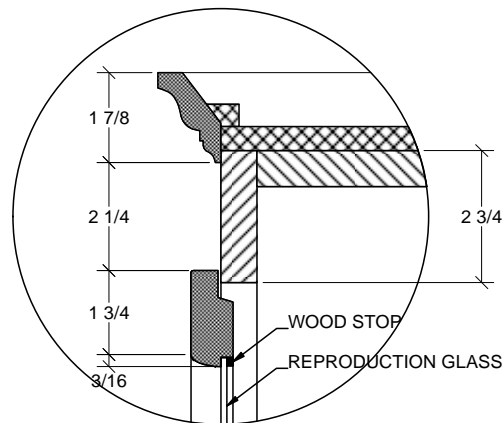
2 Side View
 Scale: 5/8" = 1'



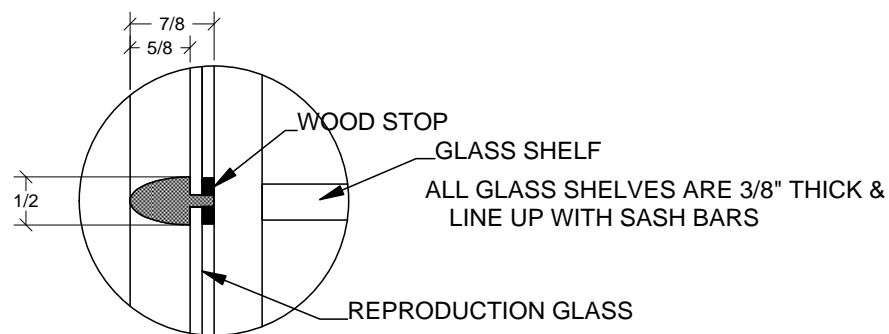
1 Base Section
Scale: 5/8" = 1'



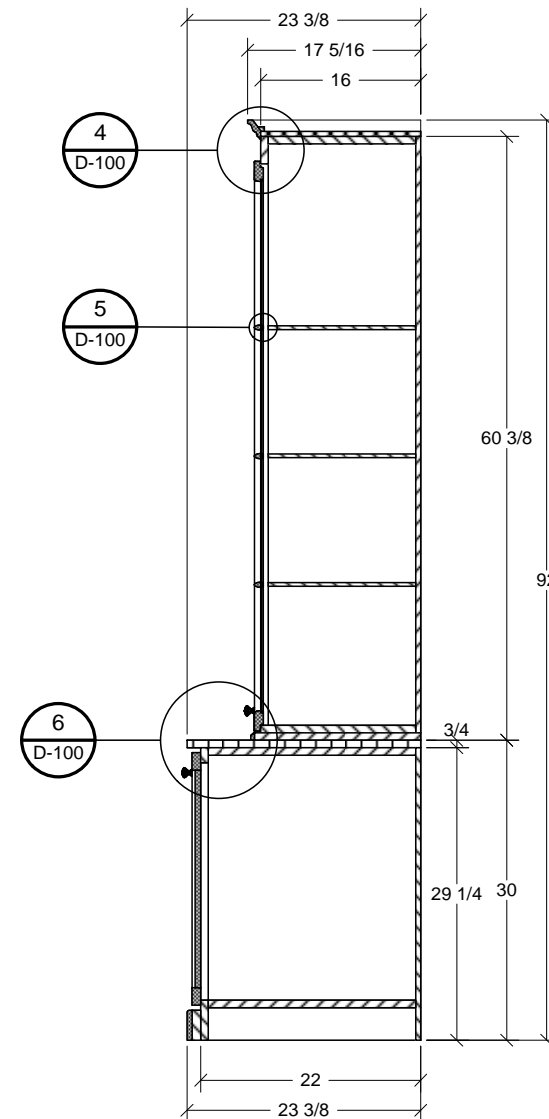
2 Top Section
Scale: 5/8" = 1'



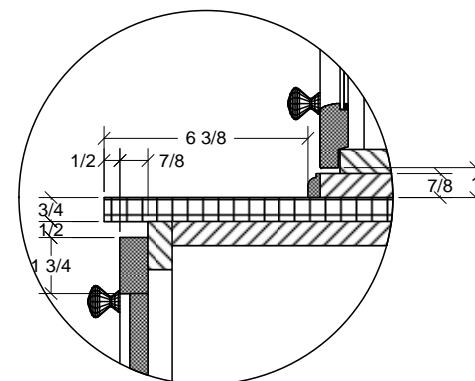
4 Crown Detail
Scale: 1 : 4



5 Sash Detail
Scale: 1 : 2



3 Side Section
Scale: 5/8" = 1'



6 Base Top Detail
Scale: 2" = 1'



One on One Design Solutions
P.O. Box 3935
Wilson, NC 27895
1.800.283.3037
www.1on1designsolutions.com

Drawn By:
One on One Design Solutions
P.O. Box 3935, Wilson, NC 27895
1-800-283-3037
www.1on1designsolutions.com

Disclaimer: It is the responsibility of the builder to verify all dimensions before beginning construction. One on One Design Solutions is not liable for any damages, including lost profits, arising from the use of this drawing.

APPROVAL SIGNATURE

APPROVED
 AS NOTED

SIGNATURE: _____

DATE: _____

Revisions:

No.	Date	Description
1	10/25/11	Adjusted width -3" and Height +2". Changed center doors to left hinged.

Project : Notowich Cabinet
Project Number : 11-129
Date Drawn : 10-20-11
Drawn By : G. Robinson
Scale : As Noted
Paper Size : B (11" x 17")

Drawing Title:
Cabinet Details

Revision	Drawing Number
1	D-100