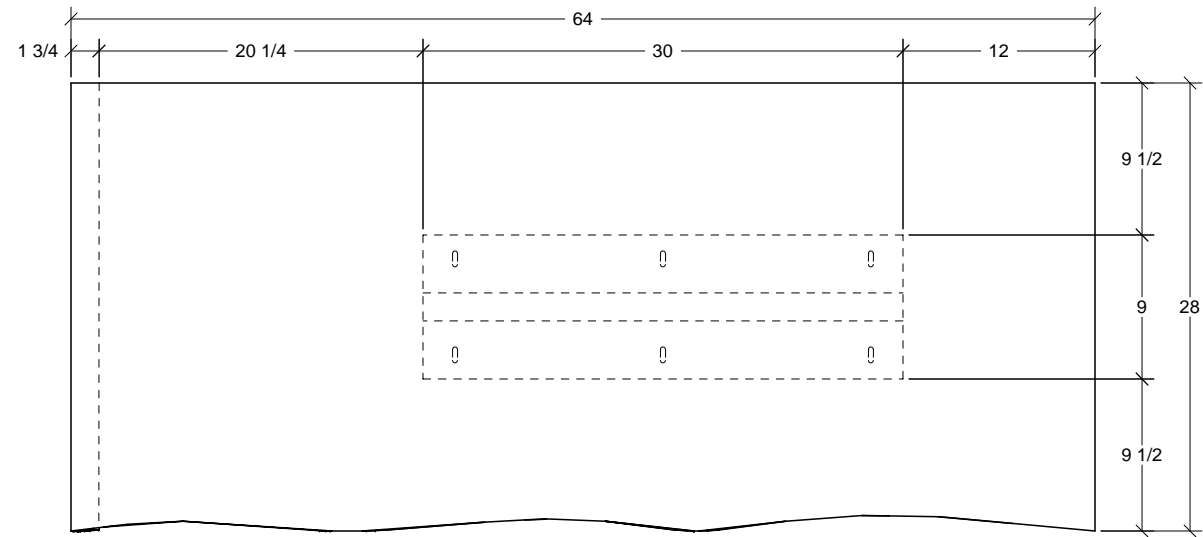
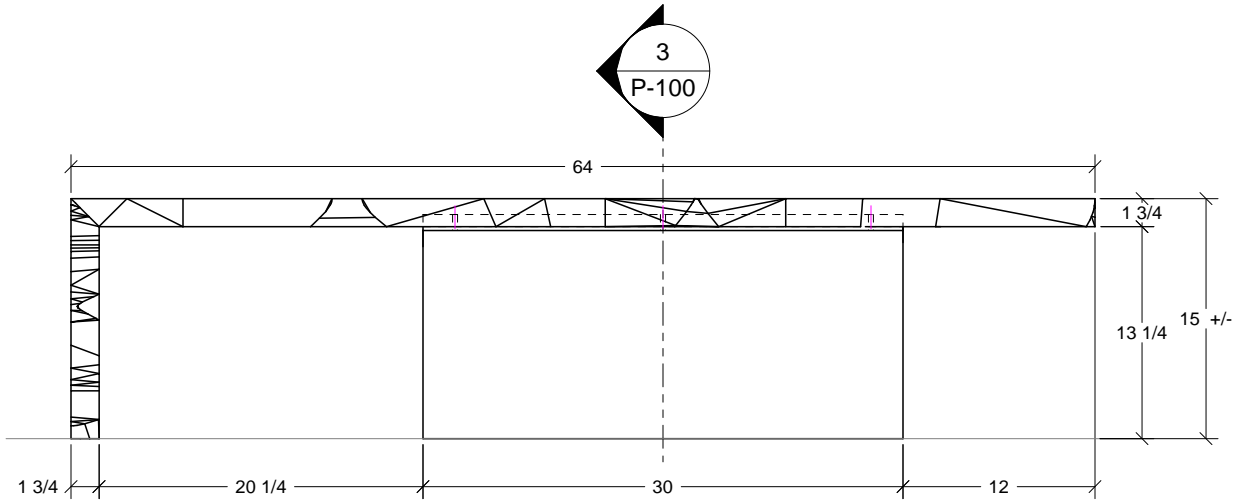
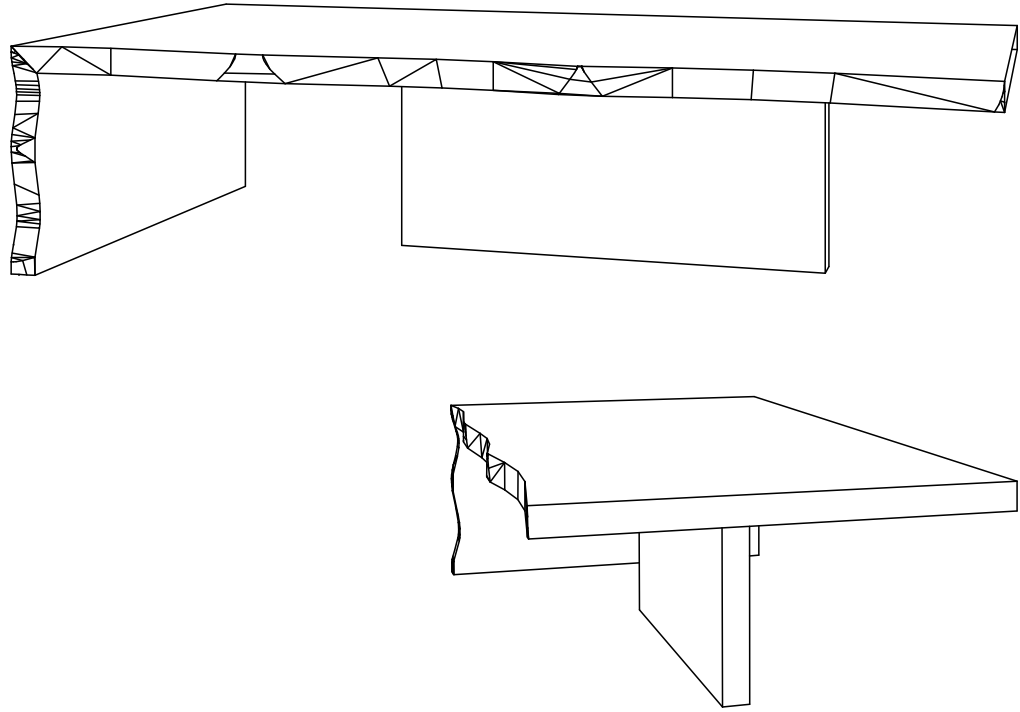


Notes:

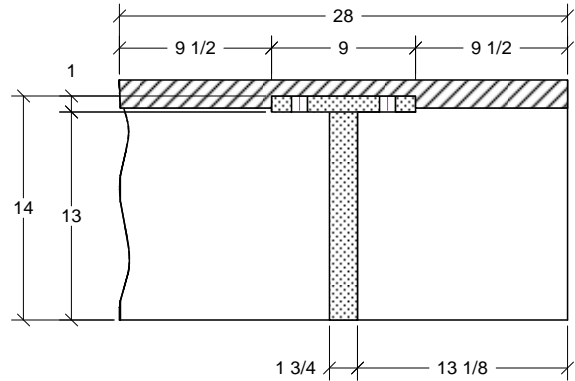
- 1. Acrylic support, all edges to be polished clear
- 2. Slab top and leg



2 Top View
Scale: 1" = 1'



1 Front View
Scale: 1" = 1'



3 Side Section View
Scale: 1" = 1'



One on One Design Solutions
P.O. Box 3935
Wilson, NC 27895
1.800.283.3037
www.1on1designsolutions.com

Drawn By:
One on One Design Solutions
P.O. Box 3935, Wilson, NC 27895
1-800-283-3037
www.1on1designsolutions.com

Disclaimer: It is the responsibility of the builder to verify all dimensions before beginning construction. One on One Design Solutions is not liable for any damages, including lost profits, arising from the use of this drawing.

APPROVAL SIGNATURE

APPROVED
 AS NOTED

SIGNATURE: _____

DATE: _____

Revisions:

| No. | Date | Description |
|-----|------|-------------|
| | | |

Project : Filler Coffee Table
Project Number : 11-131
Date Drawn : 11/1/11
Drawn By : G. Robinson
Scale : As Noted
Paper Size : B (11" x 17")

| | |
|-------------------------------------|----------------|
| Drawing Title: Table Plan | |
| Revision | Drawing Number |
| 0 | P-100 |