



One on One Design Solutions
 P.O. Box 3935
 Wilson, NC 27895
 1.800.283.3037
 www.1on1designsolutions.com

APPROVAL SIGNATURE

- APPROVED
- AS NOTED

SIGNATURE:

DATE:

Revisions:

| No. | Date | Description |
|-----|--------|---|
| 1 | 3/3/12 | Removed arch. Changed depth of base to 18". Added drawer under cabinet. |

Material : Mahogany

Finish : Clear, Satin Lacquer

Project : Wine Rack

Customer : Eichmann Residence

Project Number : 20-100

Date Drawn : 3-1-12

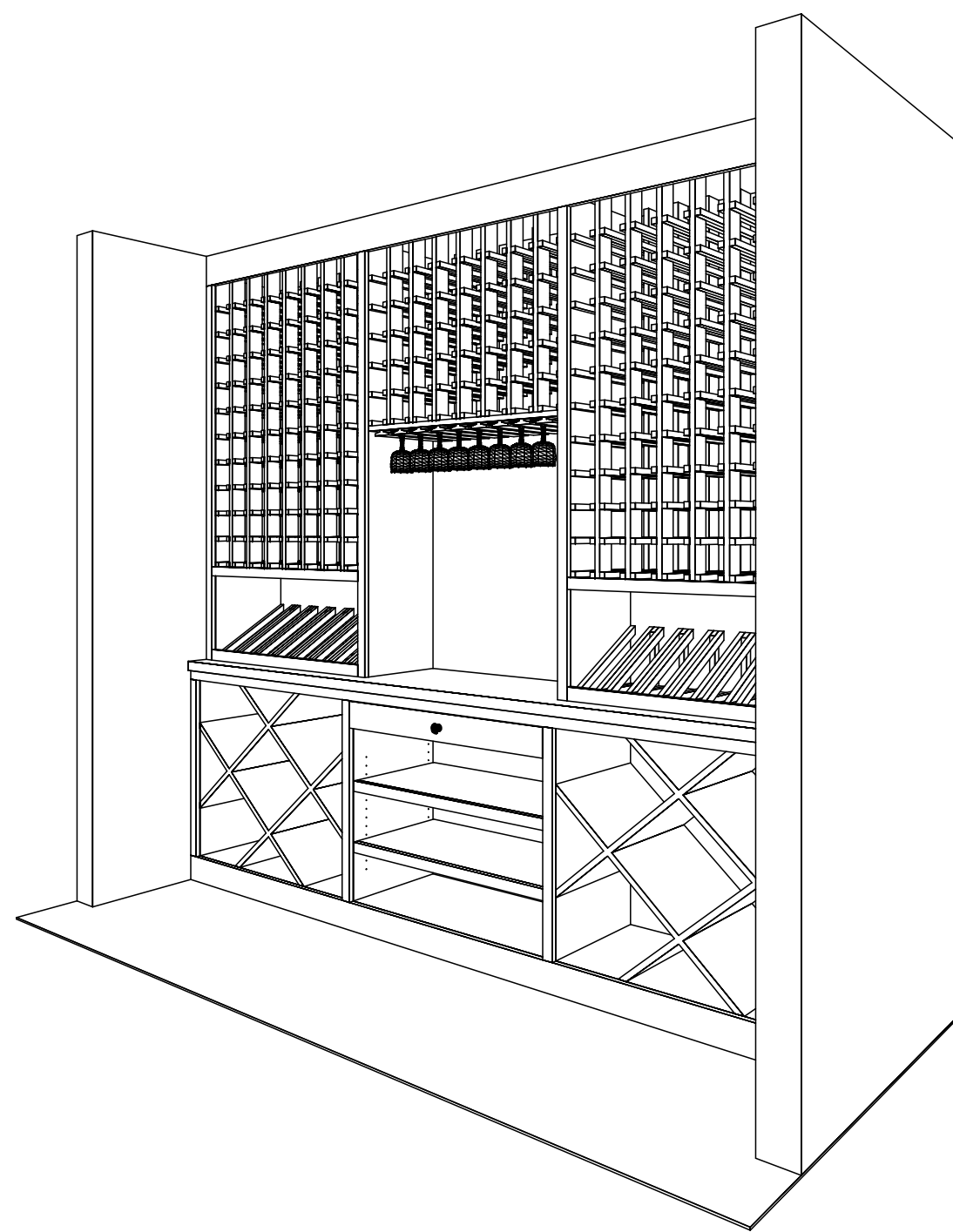
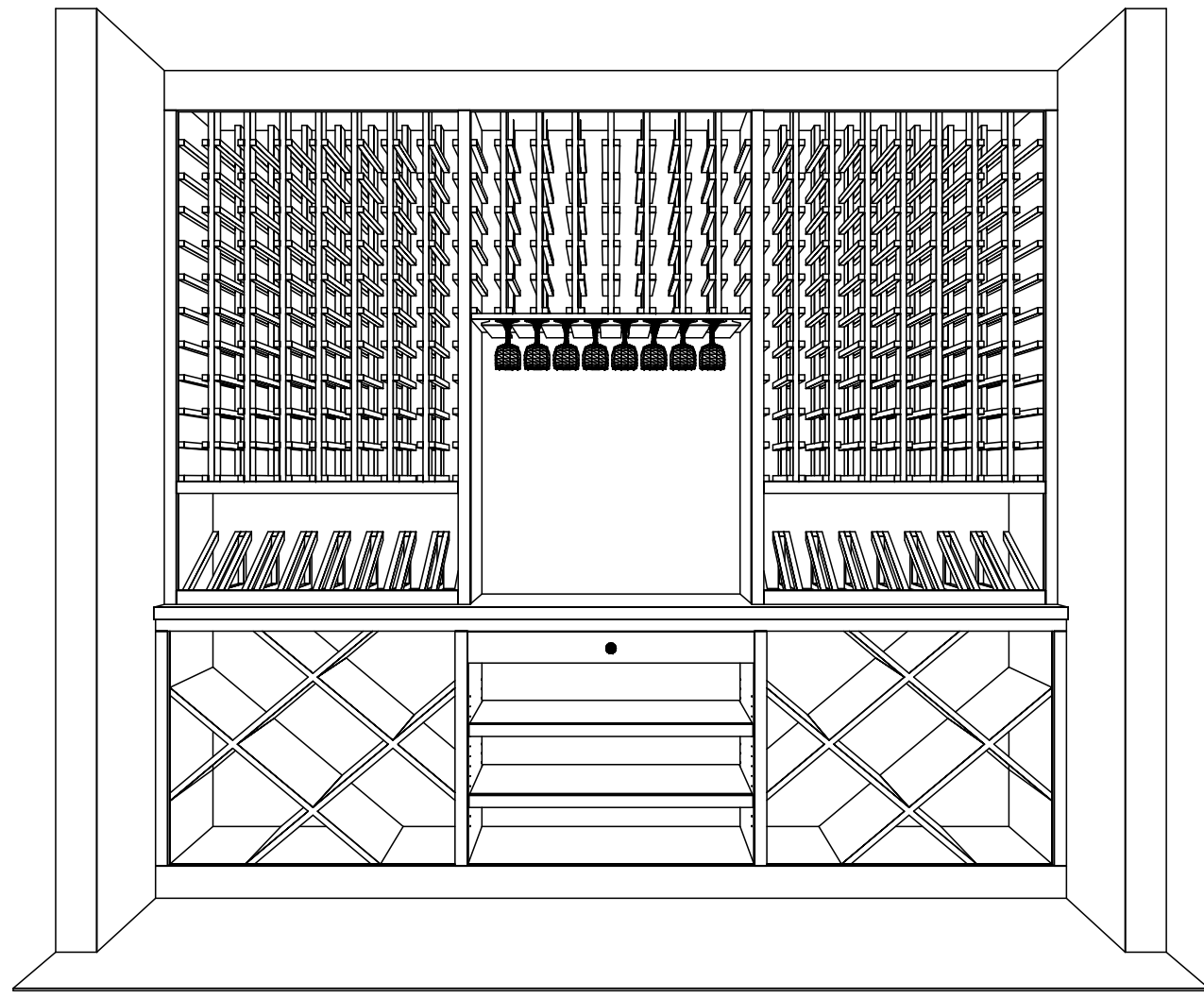
Drawn By : G. Robinson

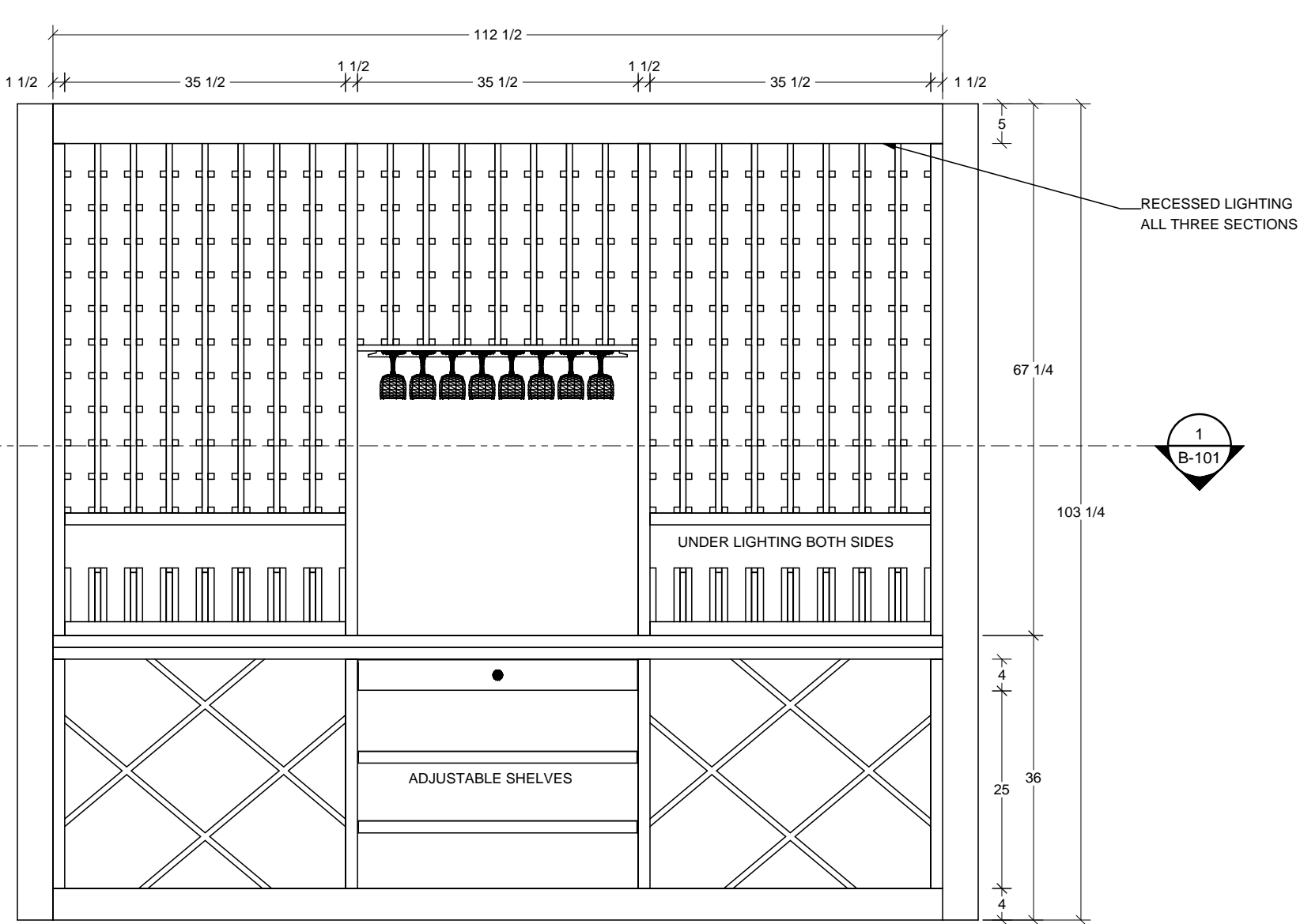
Scale : As Noted

Paper Size : B (11" x 17")

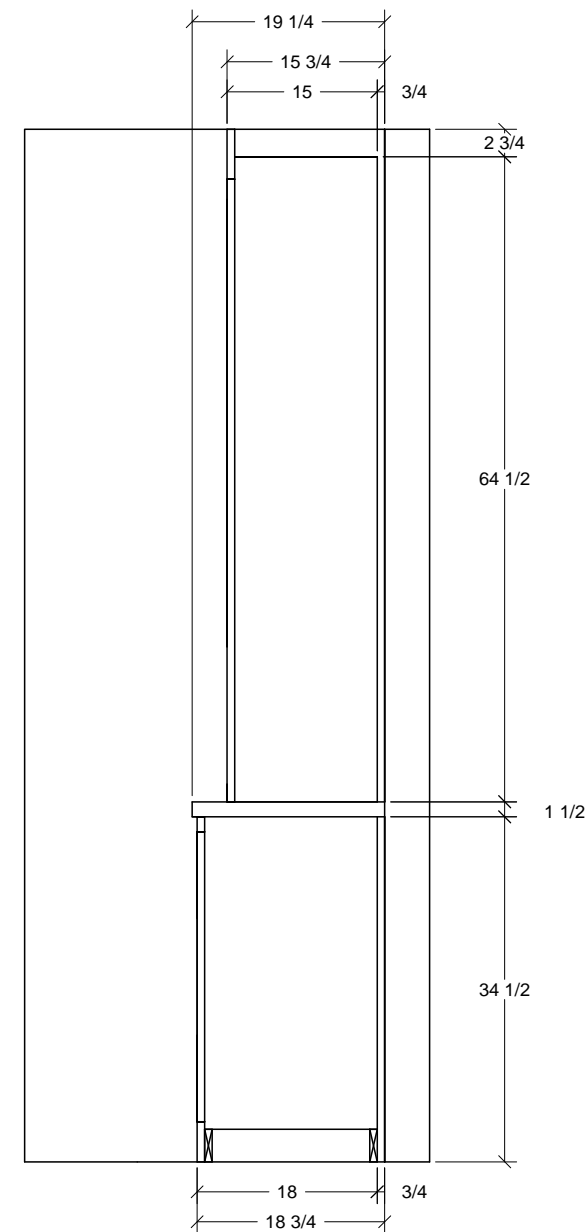
Drawing Title:
Isometric Views

| Revision | Drawing Number |
|----------|----------------|
| 1 | B-110 |





1 Elevation View
Scale: 5/8" = 1'



2 Side View
Scale: 5/8" = 1'

APPROVAL SIGNATURE

APPROVED
 AS NOTED

SIGNATURE: _____

DATE: _____

Revisions:

| No. | Date | Description |
|-----|--------|---|
| 1 | 3/3/12 | Removed arch. Changed depth of base to 18". Added drawer under cabinet. |

Material : Mahogany
Finish : Clear, Satin Lacquer

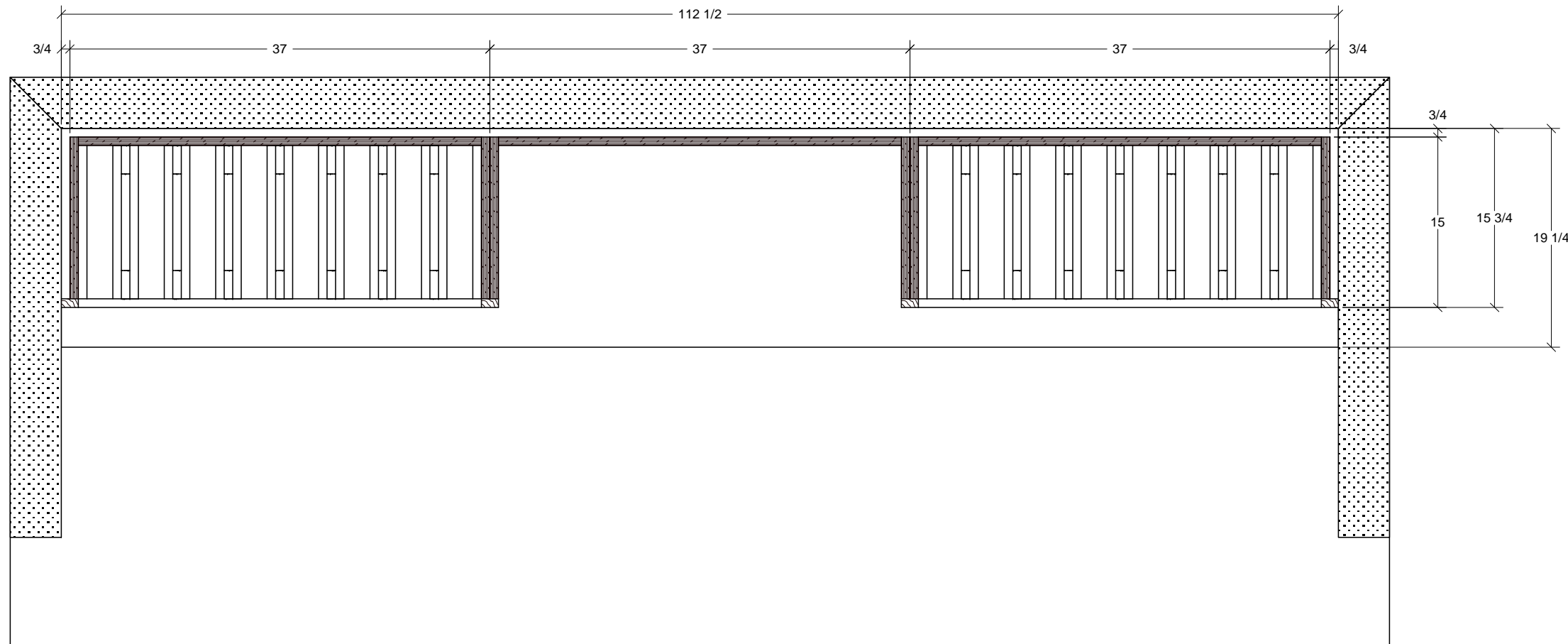
Project : Wine Rack
Customer : Eichmann Residence

Project Number : 20-100
Date Drawn : 3-1-12
Drawn By : G. Robinson
Scale : As Noted
Paper Size : B (11" x 17")

Drawing Title:
Elevation Drawings

| Revision | Drawing Number |
|----------|----------------|
| 1 | B-100 |

Notes:



1 TOP CROSS SECTION
Scale: 1" = 1'



One on One Design Solutions
P.O. Box 3935
Wilson, NC 27895
1.800.283.3037
www.1on1designsolutions.com

| APPROVAL SIGNATURE | |
|--------------------------|----------|
| <input type="checkbox"/> | APPROVED |
| <input type="checkbox"/> | AS NOTED |
| SIGNATURE: | |
| DATE: | |

Revisions:

| No. | Date | Description |
|-----|------|-------------|
| | | |

Material : Mahogany
Finish : Clear, Satin Lacquer

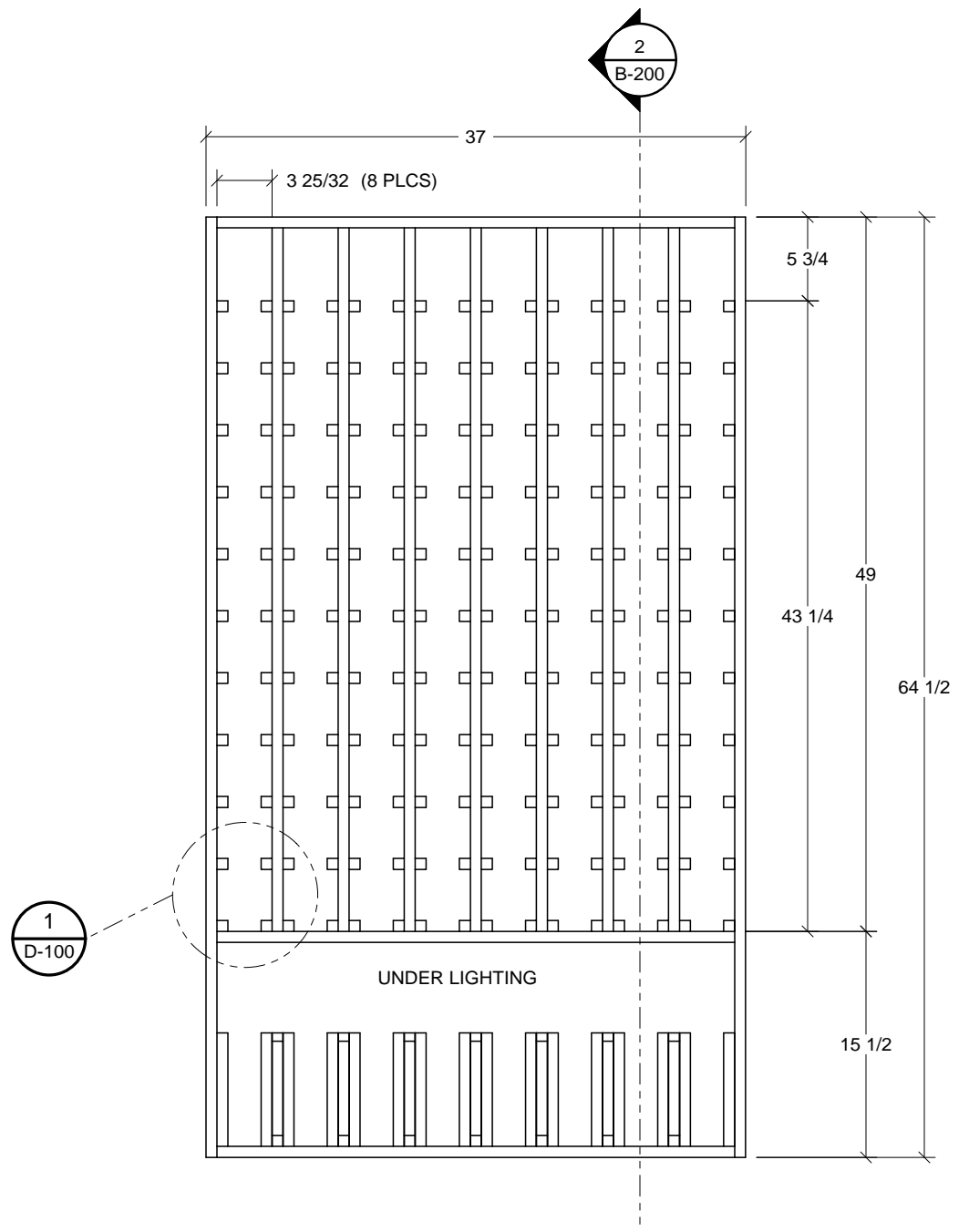
Project : Wine Rack
Customer : Eichmann Residence

Project Number : 20-100
Date Drawn : 3-1-12
Drawn By : G. Robinson
Scale : As Noted
Paper Size : B (11" x 17")

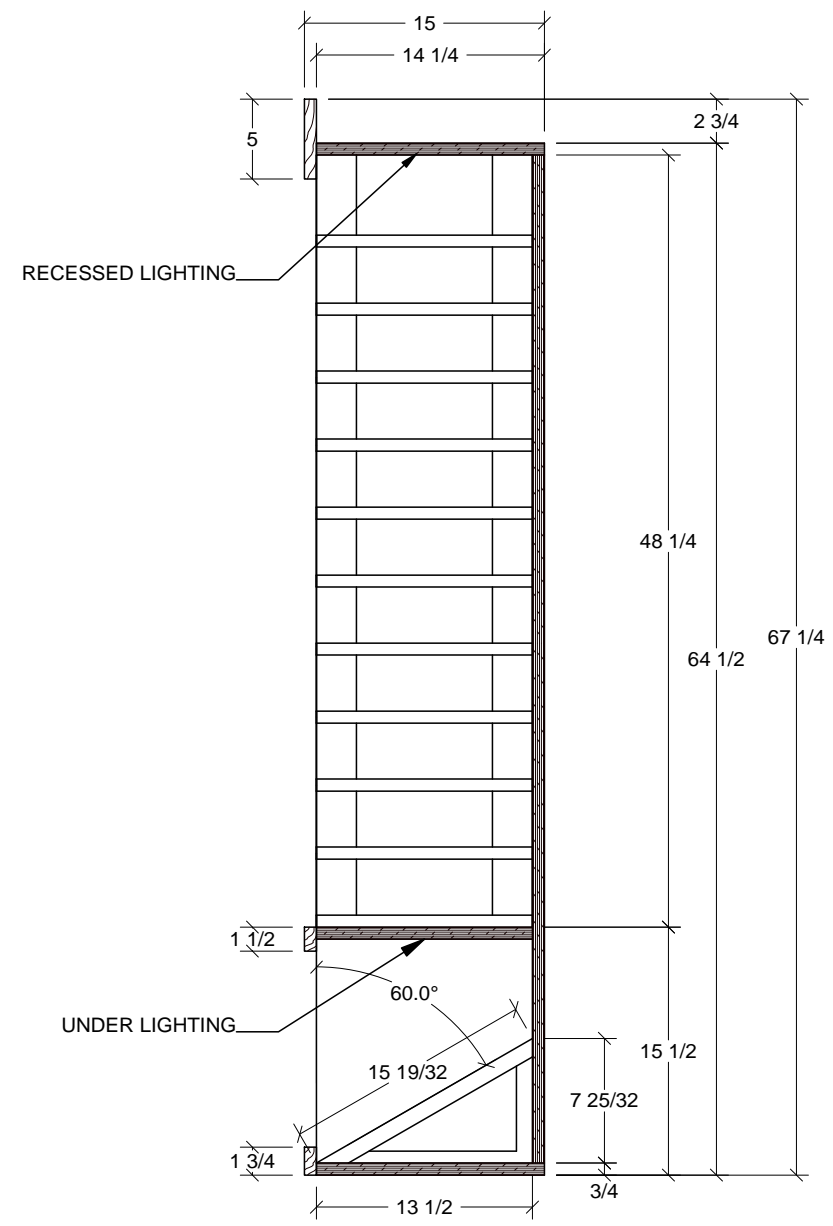
Drawing Title:
Plan View

| Revision | Drawing Number |
|----------|----------------|
| 0 | B-101 |

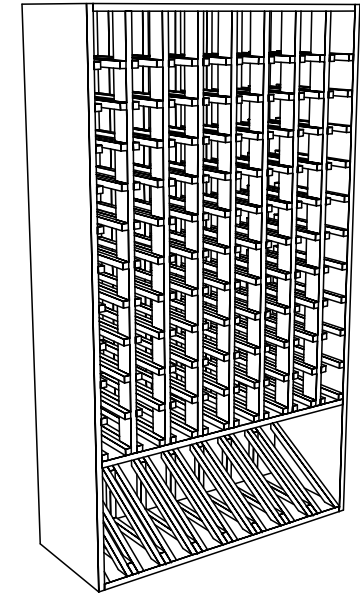
Notes:



1 FRONT VIEW (FACE FRAME NOT SHOWN FOR CLARITY)
Scale: 0



2 SIDE SECTION VIEW
Scale: 0



2 REQUIRED

APPROVAL SIGNATURE

- APPROVED
- AS NOTED

SIGNATURE: _____

DATE: _____

Revisions:

| No. | Date | Description |
|-----|------|-------------|
| | | |

Material : Mahogany

Finish : Clear, Satin Lacquer

Project : Wine Rack

Customer : Eichmann Residence

Project Number : 20-100

Date Drawn : 3-1-12

Drawn By : G. Robinson

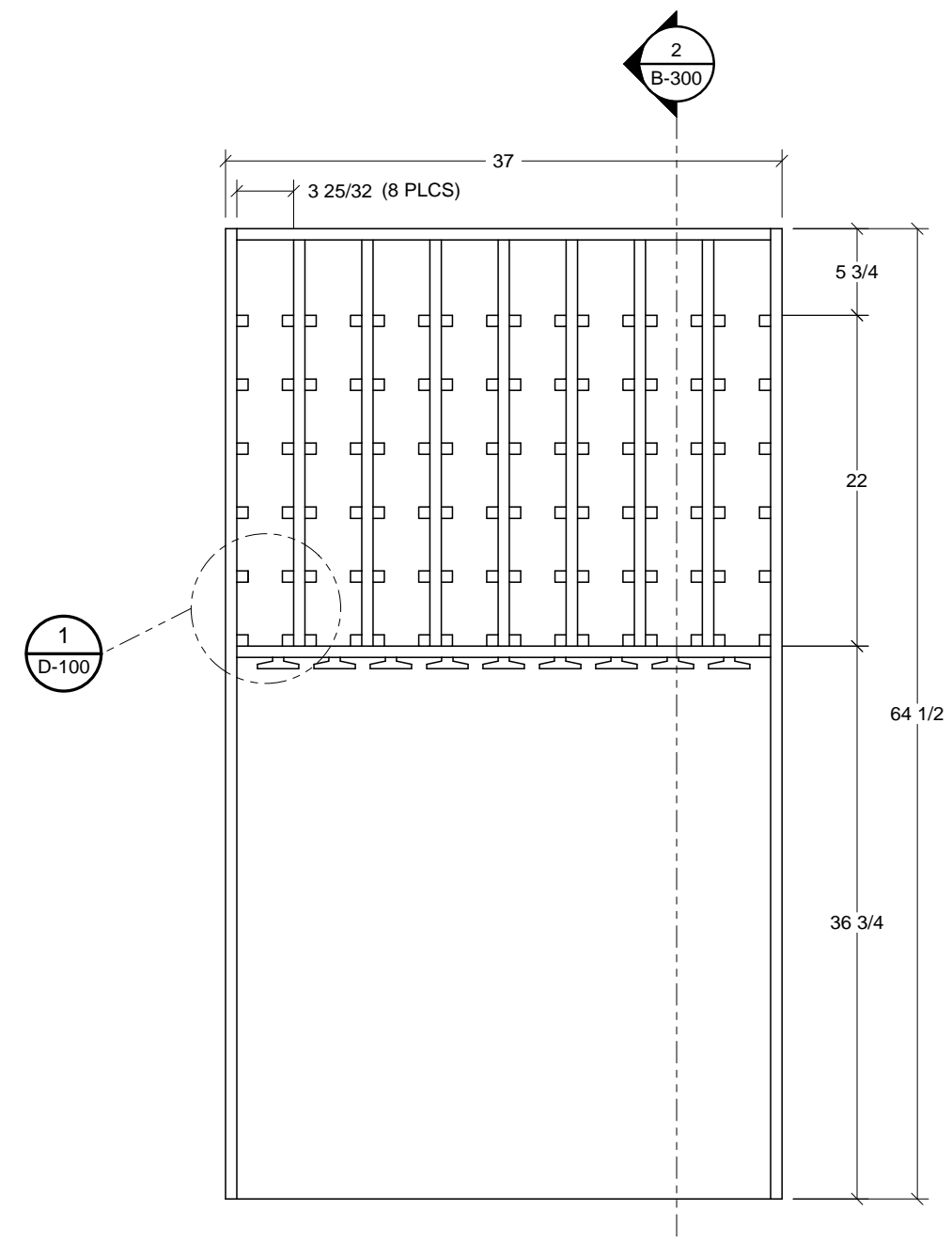
Scale : As Noted

Paper Size : B (11" x 17")

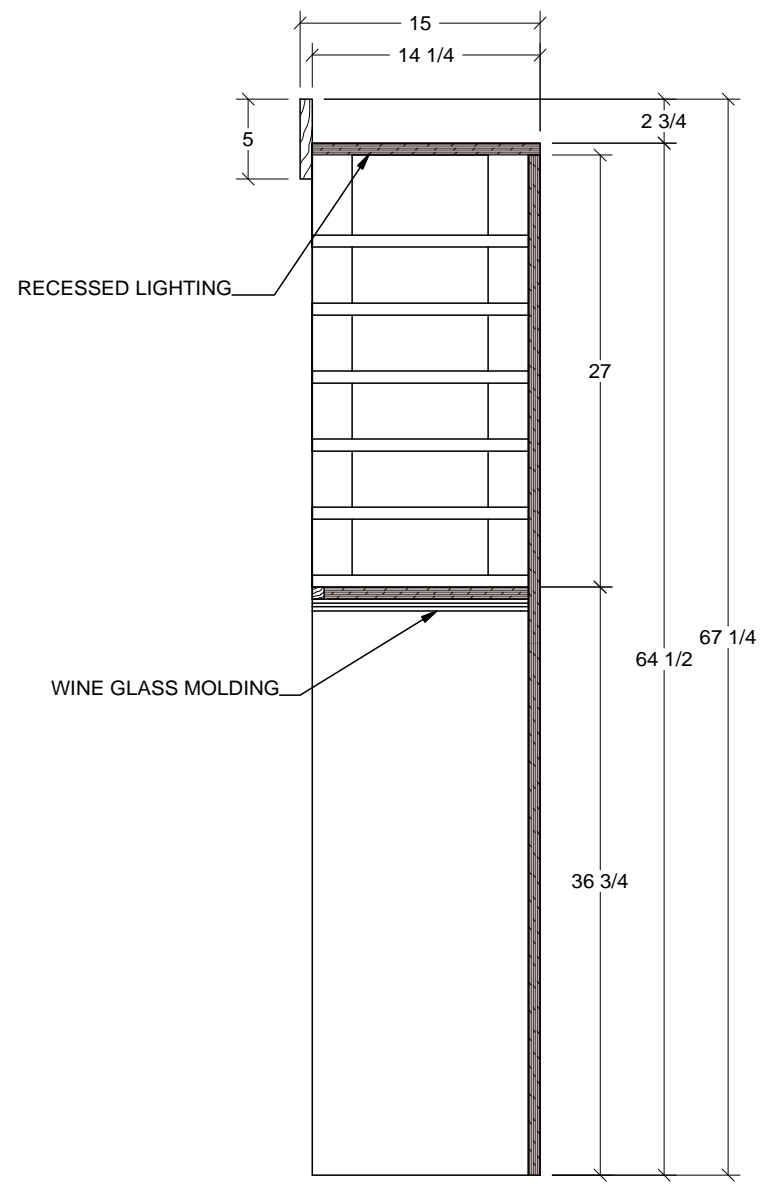
Drawing Title:
Upper End Sections

| Revision | Drawing Number |
|----------|----------------|
| 0 | B-200 |

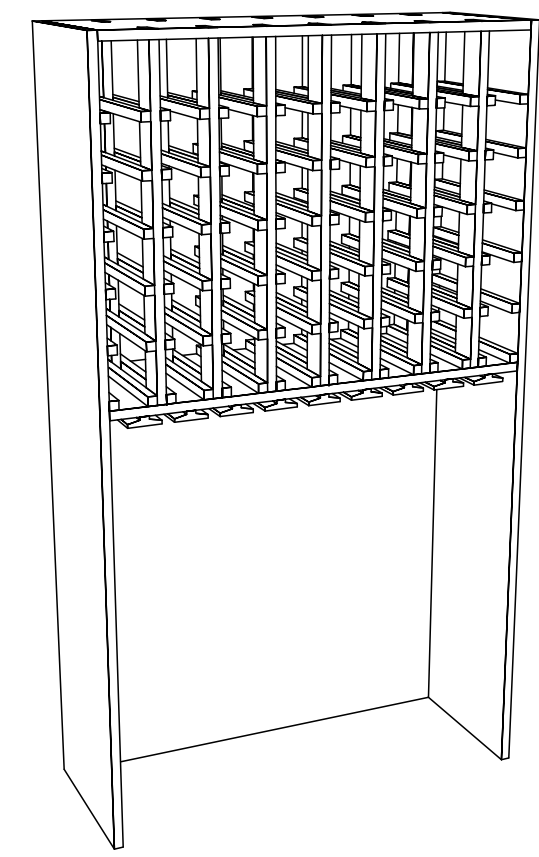
Notes:



1 FRONT VIEW (FACE FRAME NOT SHOWN FOR CLARITY)
Scale: 1" = 1'



2 SIDE SECTION VIEW
Scale: 1" = 1'



APPROVAL SIGNATURE

APPROVED
 AS NOTED

SIGNATURE: _____
DATE: _____

Revisions:

| No. | Date | Description |
|-----|------|-------------|
| | | |

Material : Mahogany
Finish : Clear, Satin Lacquer

Project : Wine Rack
Customer : Eichmann Residence

Project Number : 20-100
Date Drawn : 3-1-12
Drawn By : G. Robinson
Scale : As Noted
Paper Size : B (11" x 17")

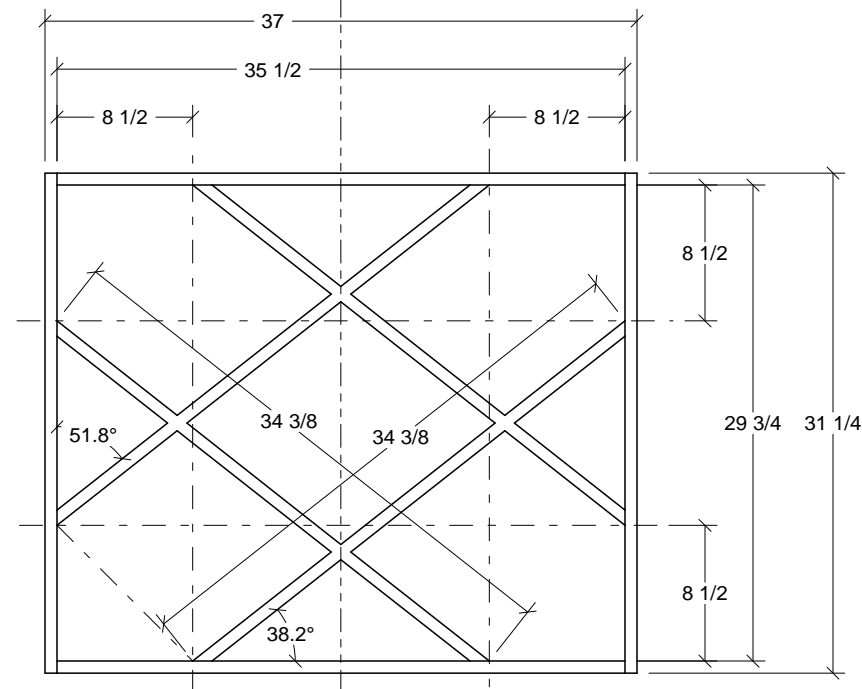
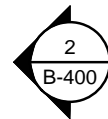
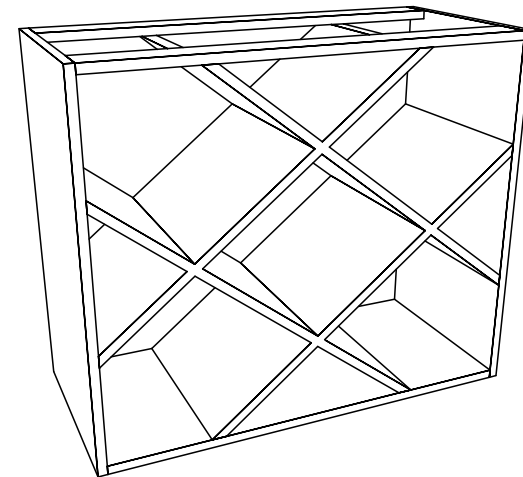
Drawing Title:
Upper Center Section

| Revision | Drawing Number |
|----------|----------------|
| 0 | B-300 |

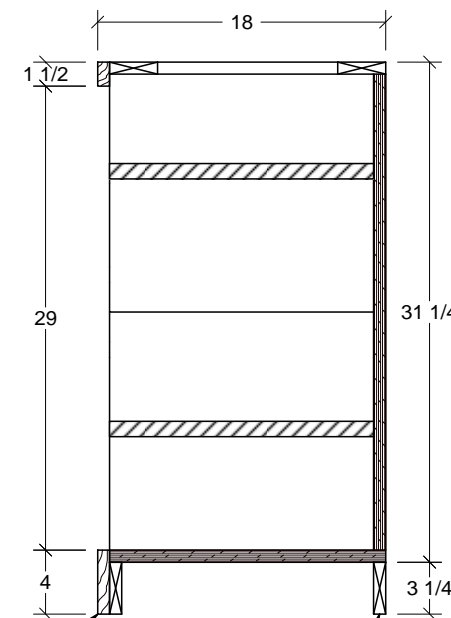


One on One Design Solutions
 P.O. Box 3935
 Wilson, NC 27895
 1.800.283.3037
 www.1on1designsolutions.com

Notes:



1 FRONT VIEW (FACE FRAME NOT SHOWN FOR CLARITY)
 Scale: 1" = 1'



OVERLAY KICK IS FLUSH WITH FACE FRAME

TOE KICK IS SEPERATE FROM CASE

2 SIDE SECTION VIEW
 Scale: 1" = 1'

2 REQUIRED

APPROVAL SIGNATURE

APPROVED

AS NOTED

SIGNATURE:

DATE:

Revisions:

| No. | Date | Description |
|-----|------|-------------|
| | | |

Material : Mahogany

Finish : Clear, Satin Lacquer

Project : Wine Rack

Customer : Eichmann Residence

Project Number : 20-100

Date Drawn : 3-1-12

Drawn By : G. Robinson

Scale : As Noted

Paper Size : B (11" x 17")

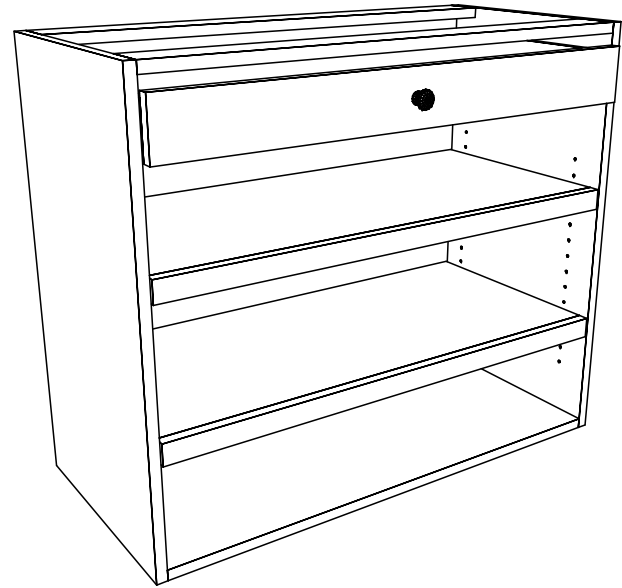
Drawing Title:

Lower End Sections

| Revision | Drawing Number |
|----------|----------------|
| 0 | B-400 |

0

B-400



Notes:



One on One Design Solutions
 P.O. Box 3935
 Wilson, NC 27895
 1.800.283.3037
 www.1on1designsolutions.com

APPROVAL SIGNATURE

APPROVED

AS NOTED

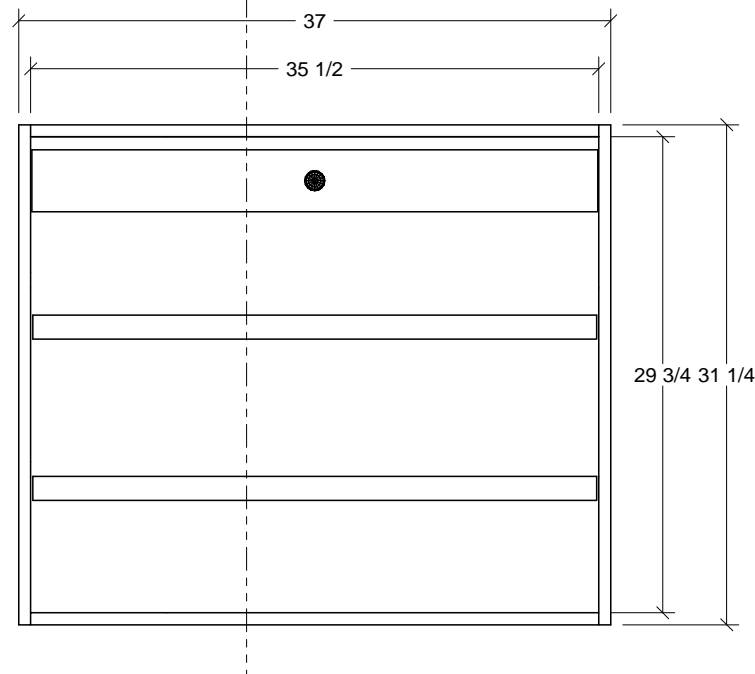
SIGNATURE:

DATE:

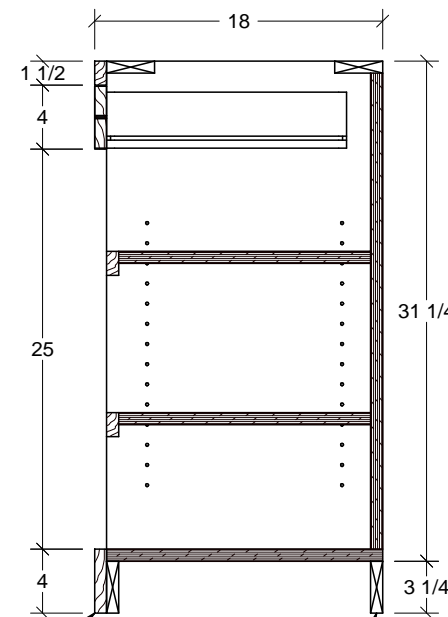
Revisions:

No. Date Description

2
B-500



1 FRONT VIEW (FACE FRAME NOT SHOWN FOR CLARITY)
 Scale: 1" = 1'



OVERLAY KICK IS
 FLUSH WITH FACE FRAME

TOE KICK IS SEPERATE FROM CASE

2 SIDE SECTION VIEW
 Scale: 1" = 1'

Material : Mahogany

Finish : Clear, Satin Lacquer

Project : Wine Rack

Customer : Eichmann Residence

Project Number : 20-100

Date Drawn : 3-1-12

Drawn By : G. Robinson

Scale : As Noted

Paper Size : B (11" x 17")

Drawing Title:

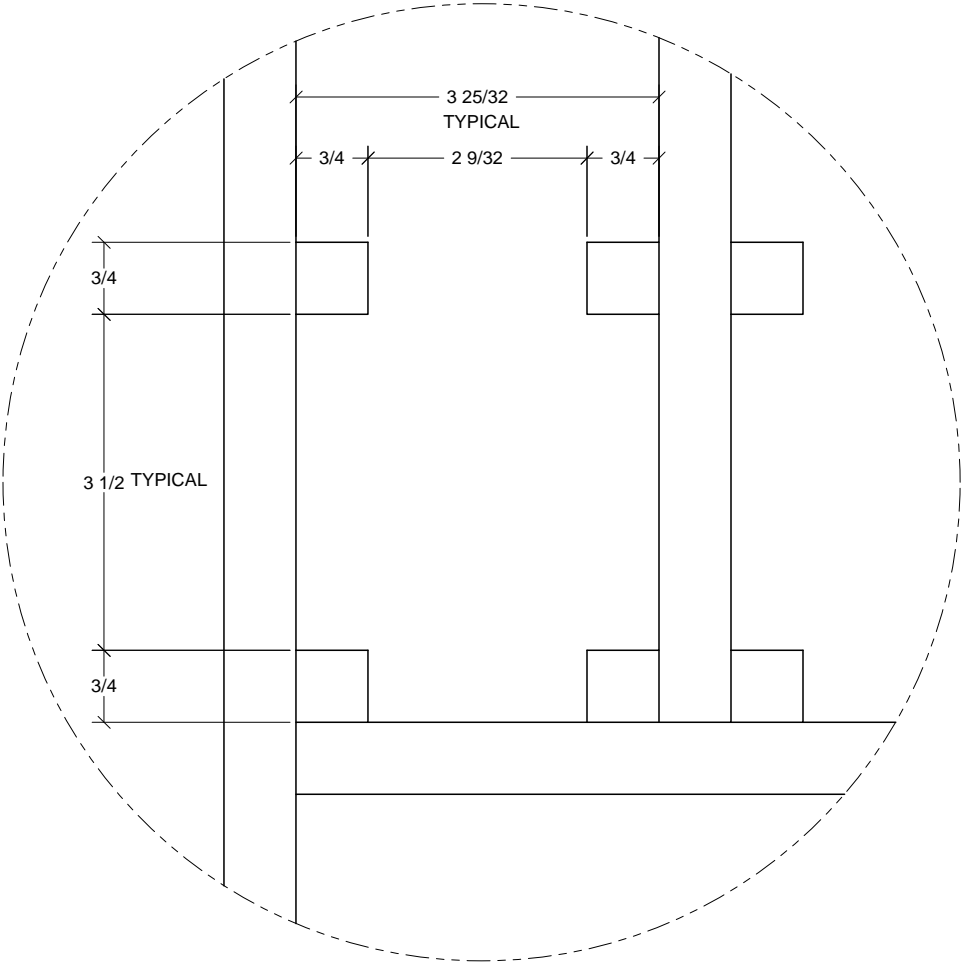
Lower Center Section

| Revision | Drawing Number |
|----------|----------------|
|----------|----------------|

0

B-500

Notes:



1 Wine Rack Detail
Scale: 1 : 2



One on One Design Solutions
 P.O. Box 3935
 Wilson, NC 27895
 1.800.283.3037
 www.1on1designsolutions.com

APPROVAL SIGNATURE

APPROVED

AS NOTED

SIGNATURE: _____

DATE: _____

Revisions:

| No. | Date | Description |
|-----|------|-------------|
| | | |

Material : Mahogany
 Finish : Clear, Satin Lacquer

Project : Wine Rack
 Customer : Eichmann Residence

Project Number : 20-100
 Date Drawn : 3-1-12
 Drawn By : G. Robinson
 Scale : As Noted
 Paper Size : B (11" x 17")

Drawing Title:
Details

| Revision | Drawing Number |
|----------|----------------|
| 0 | D-100 |