

Notes:

1. Cabinet interiors are prefinished maple
2. New trim will be installed on existing window
3. Shelves will be 1" thick
4. Door hinges to be Whitechapel 238RHD2
5. Door Pulls to be Whitechapel 143RT4



One on One Design Solutions
 P.O. Box 3935
 Wilson, NC 27895
 1.800.283.3037
 www.1on1designsolutions.com

Drawn By:
 One on One Design Solutions
 P.O. Box 3935, Wilson, NC 27895
 1-800-283-3037
 www.1on1designsolutions.com

Disclaimer: It is the responsibility of the builder to verify all dimensions before beginning construction. One on One Design Solutions is not liable for any damages, including lost profits, arising from the use of this drawing.

Notes:

APPROVAL SIGNATURE

APPROVED

AS NOTED

SIGNATURE: _____

DATE: _____

Revisions:

No.	Date	Description
1	7/4/11	Increased door frame width to 3-1/2".

Project : ~~Uax]|^A~~
~~A~~

Project Number : ~~1E1E~~

Date Drawn : 06/30/11

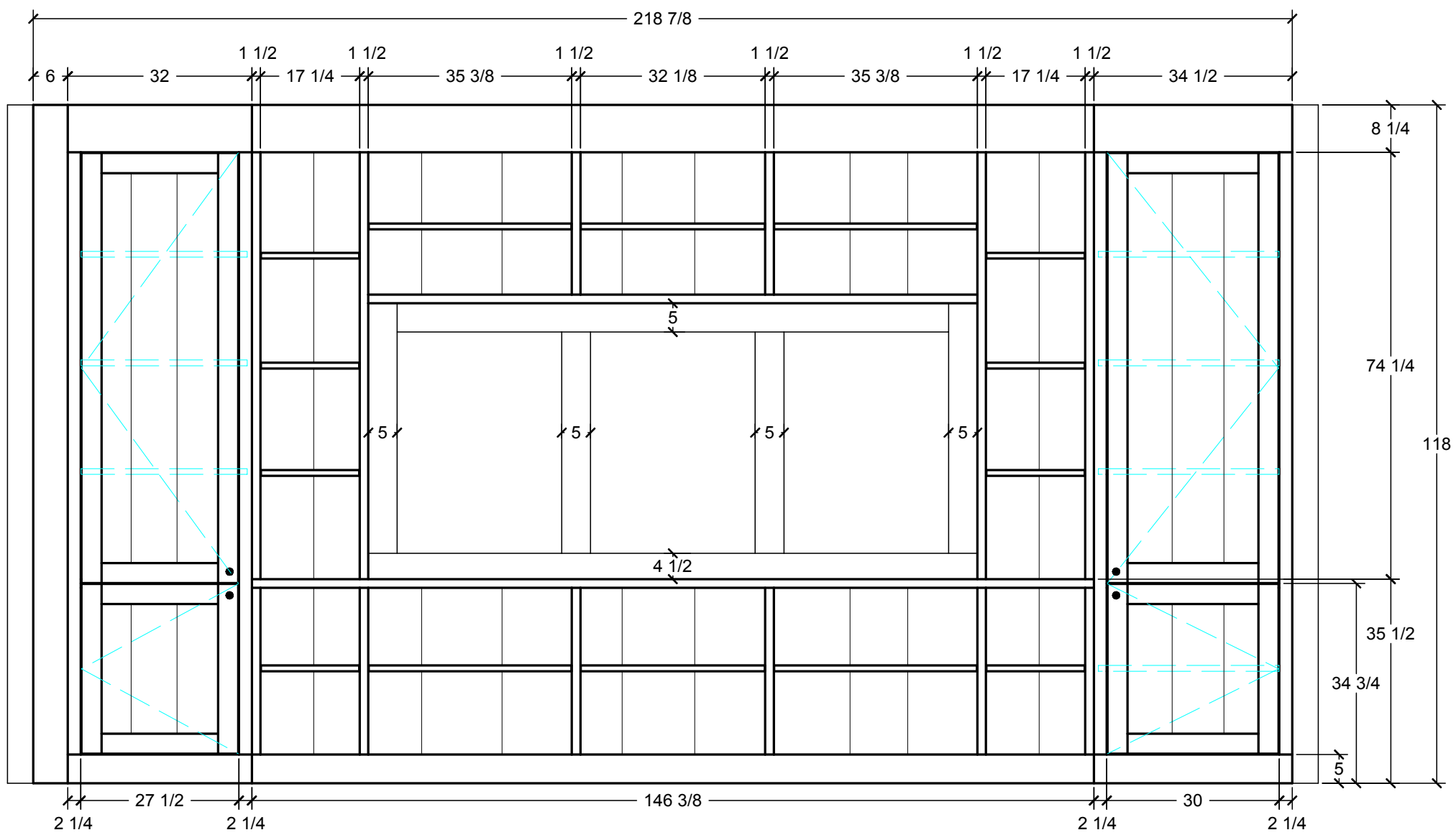
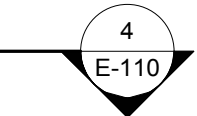
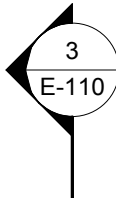
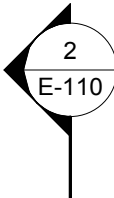
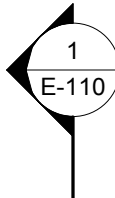
Drawn By : G. Robinson

Scale : 1/2" = 1'

Paper Size : B (11" x 17")

Drawing Title:
Elevation View

Revision	Drawing Number
0	E-100



1 Elevation View
 Scale: 1/2" = 1'



One on One Design Solutions
 P.O. Box 3935
 Wilson, NC 27895
 1.800.283.3037
 www.1on1designsolutions.com

Drawn By:
 One on One Design Solutions
 P.O. Box 3935, Wilson, NC 27895
 1-800-283-3037
 www.1on1designsolutions.com

Disclaimer: It is the responsibility of the builder to verify all dimensions before beginning construction. One on One Design Solutions is not liable for any damages, including lost profits, arising from the use of this drawing.

Notes:

Revisions:

No.	Date	Description
1	7/4/11	Increased door frame width to 3-1/2".

Project : ~~Uax]|^~~
~~AA~~

Project Number : ~~1E1E~~

Date Drawn : 06/30/11

Drawn By : G. Robinson

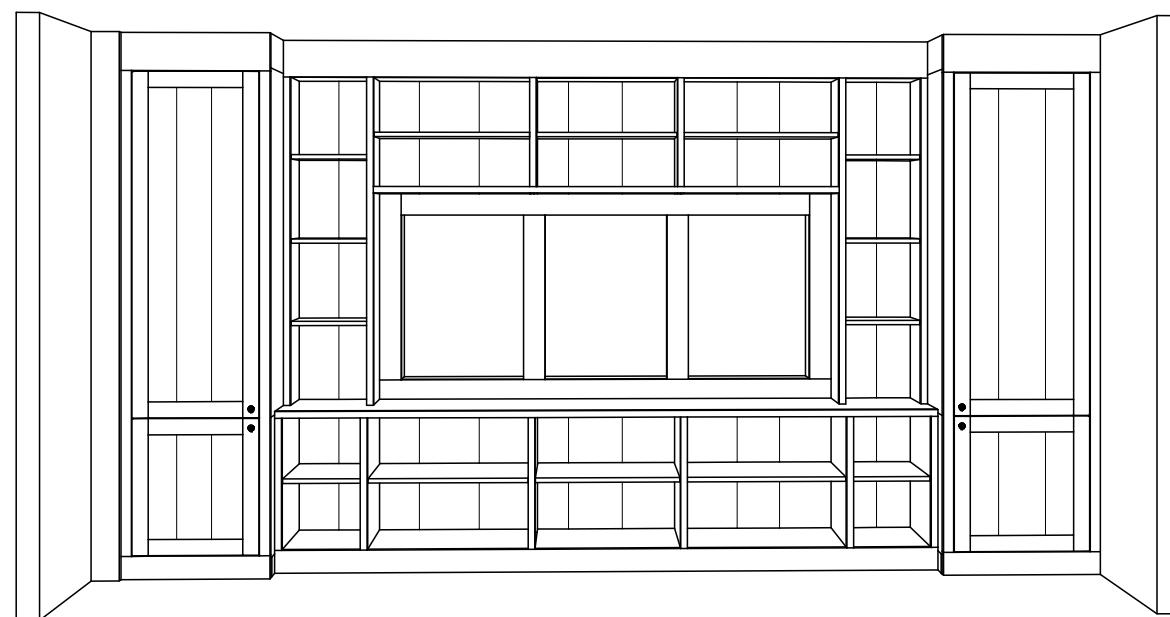
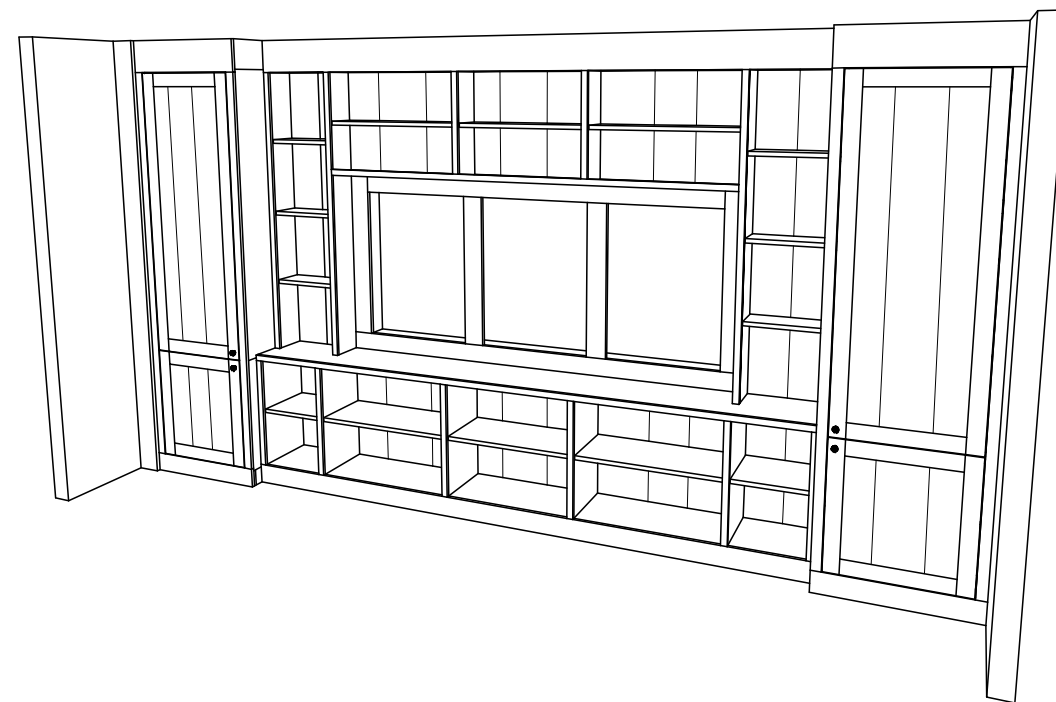
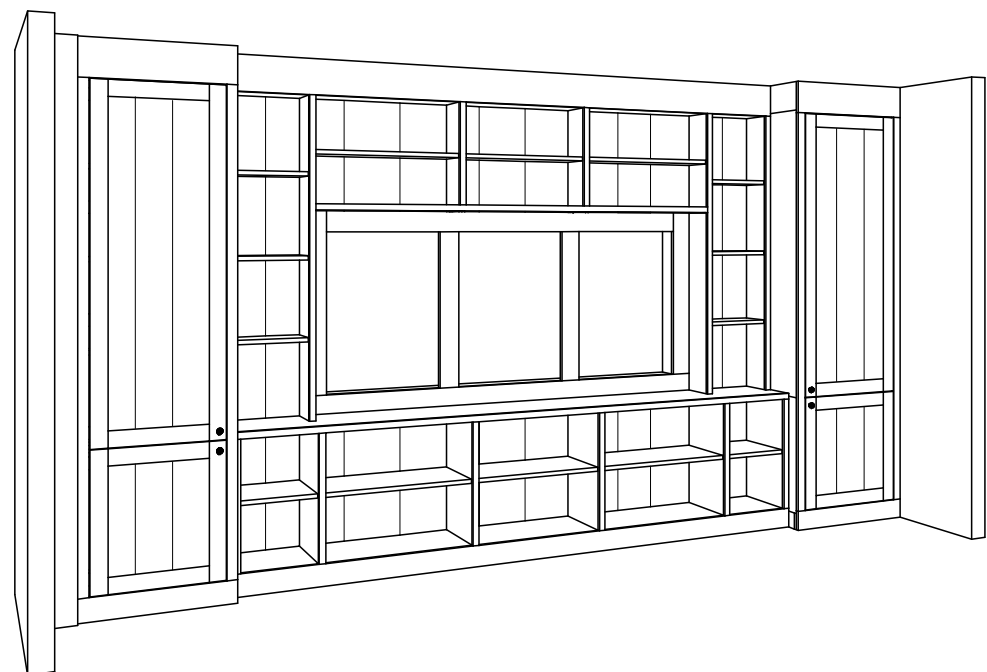
Scale : 1/2" = 1'

Paper Size : B (11" x 17")

Drawing Title:
Elevation Isometrics

Revision	Drawing Number
----------	----------------

1	E-101
---	-------



Notes:

Revisions:

No.	Date	Description

Project : Sample

Project Number : 10-100

Date Drawn : 6/30/11

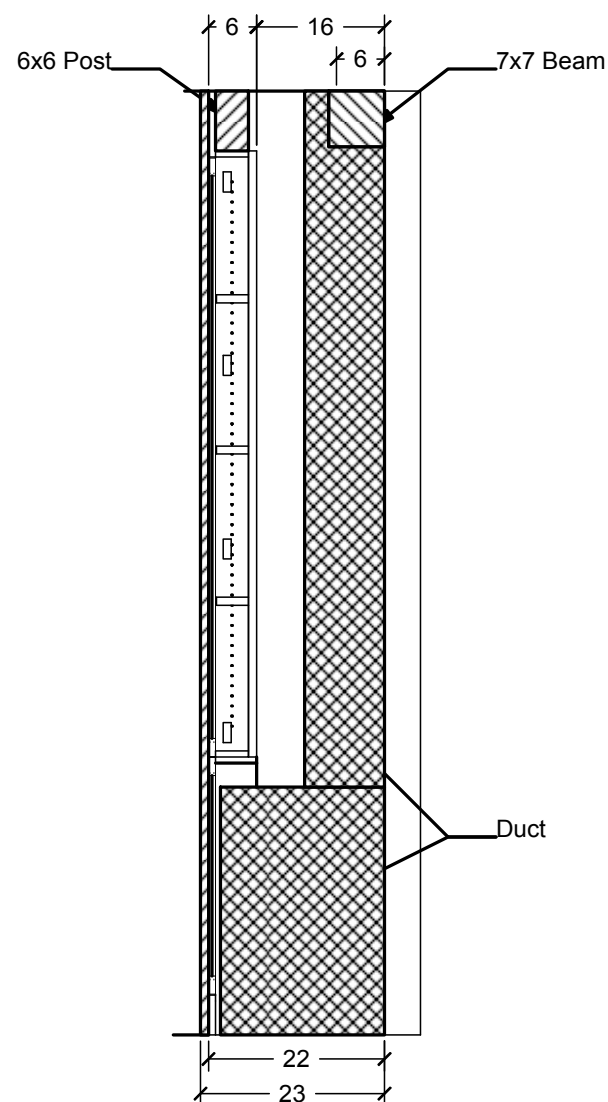
Drawn By : G. Robinson

Scale : 1/2" = 1'

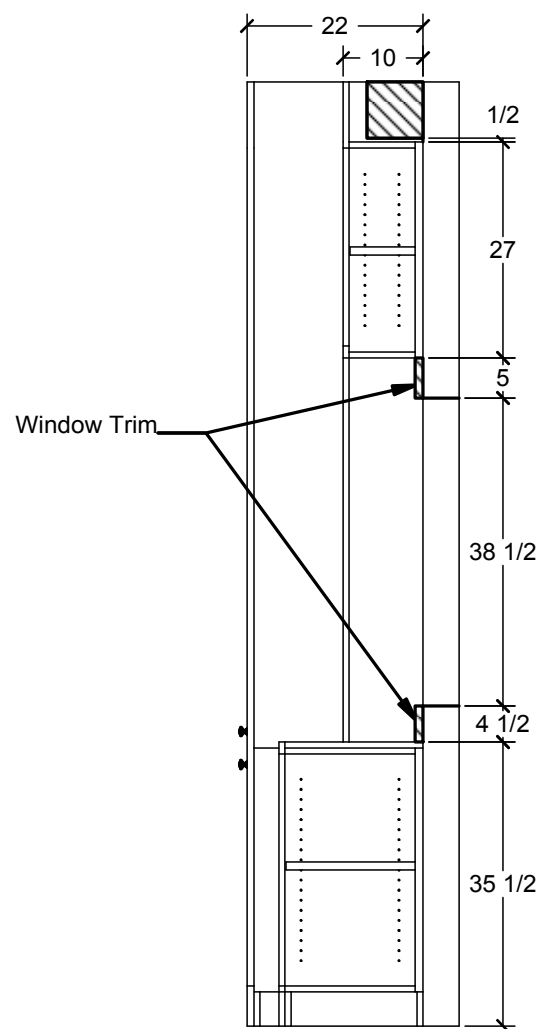
Paper Size : B (11" x 17")

Drawing Title:
Elevation Details

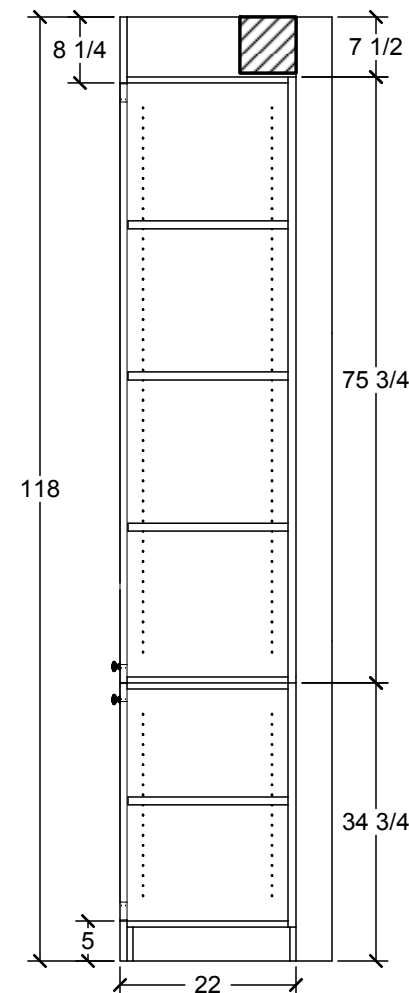
Revision	Drawing Number
0	E-110



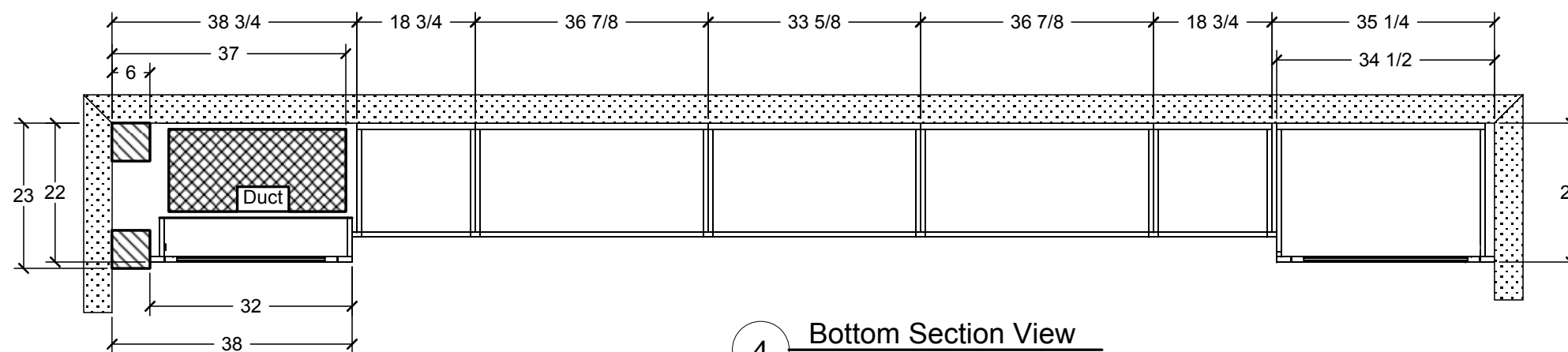
1 Left Side Section View
 Scale: 1/2" = 1'



2 Center Section View
 Scale: 1/2" = 1'



3 Right Side Section View
 Scale: 1/2" = 1'



4 Bottom Section View
 Scale: 1/2" = 1'